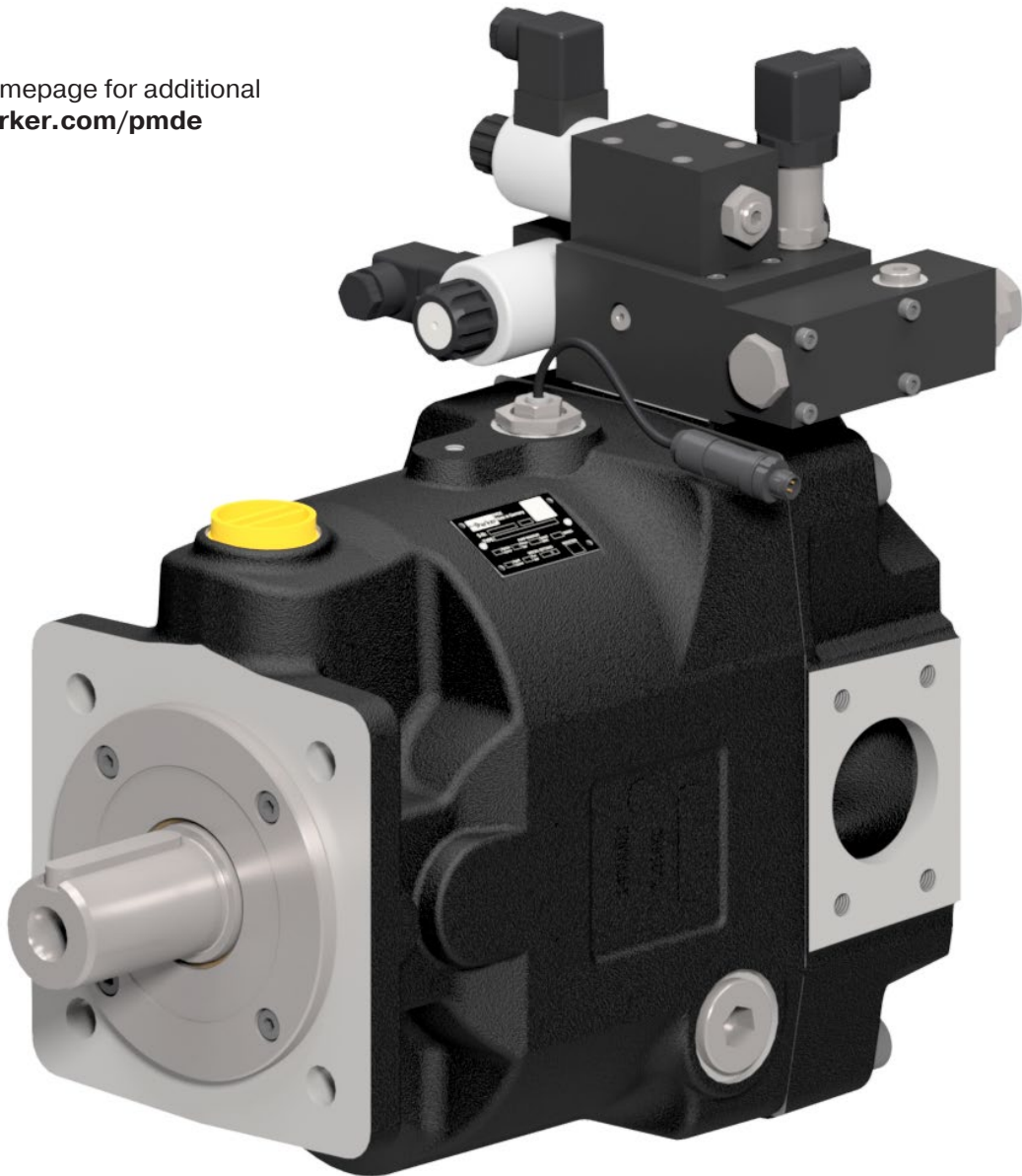




Visit our homepage for additional support parker.com/pmde



Axial Piston Pumps

Series PVplus – Design Series 47
Variable Displacement

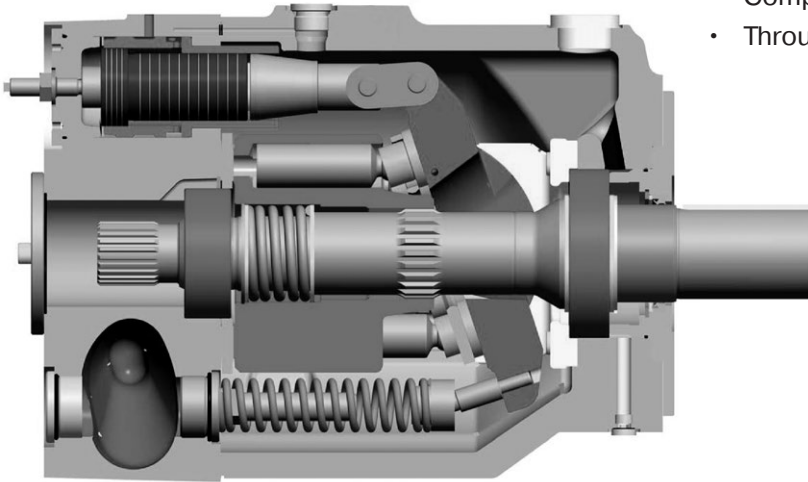


ENGINEERING YOUR SUCCESS.

| Contents | Page |
|--|-------------|
| Introduction and general Information | 4 |
| Technical Data | 5 |
| Ordering Code | 6 |
| Pressure Controls | 18 |
| Remote Pressure Controls | 20 |
| Load Sensing Controls | 22 |
| Horse Power/Torque Controls | 26 |
| Performance Curves | 30 |
| Electronic P/Q Controls | 32 |
| Efficiency and Case Drain Flows | 34 |
| Accessories Control | 40 |
| Proportional pressure relief valve PVACRE* | 42 |
| Proportional pressure relief valve with OBE PVACRE*T | 44 |
| Pump Dimensions | 46 |
| Control Dimensions | 59 |
| Electronic Module PQDXXA | 63 |
| Electronic Module PQDXXA-PROFINET-Z10 | 64 |
| Through Drive – Mounting Kits | 65 |
| Through Drive – Flange Load Limitation | 66 |
| Through Drive – Shaft Load Limitations | 67 |

With through drive for single and multiple pumps

Swash plate type for open circuit



Technical Features

- Low noise level
- Fast response
- Service-friendly
- High self-priming speed
- Compact design
- Through drive for 100 % nominal torque

General Information

Fluid recommendations

Premium quality hydraulic mineral fluid is recommended, like HLP oils to DIN 51524 (part 2 & 3) or ISO6743/4 (HM & HV). Bruggen-value recommended to be 30 N/mm² minimum for general application and 50 N/mm² for heavily loaded hydraulic equipment and fast cycling machines and/or high dynamic loads, measured in accordance with DIN 51 347-2. See also Document MSG30-3248/UK Parker Hydraulic Fluids.

Viscosity

The normal operating viscosity should range between 16 and 100 mm²/s (cSt). Max. start-up viscosity is 1000 mm²/s (cSt).

Filtration

For maximum pump and system component functionality and life, the system should be protected from contamination by effective filtration.

Fluid cleanliness should be in accordance with ISO classification ISO 4406:1999. The quality of filter elements should be in accordance with ISO standards.

General hydraulic systems for satisfactory operation: Class 20/18/15, according to ISO 4406:1999

Recommended cleanliness for maximum component life and functionality: Class 18/16/13, according to ISO 4406:1999

Seals

Check hydraulic fluid specification for chemical resistance of seal material.

Check temperature range of seal material and compare with max. system and ambient temperature.

| | |
|-------------------------------|---------------|
| N – Nitrile (FKM shaft seal) | -25...+ 90 °C |
| V – FKM (FKM shaft seal) | -25...+115 °C |
| W – Nitrile (PTFE shaft seal) | -30...+ 90 °C |

Note: The highest fluid temperature will be at the drain port of the pump, up to 25 °C higher than in the reservoir.

| | | PV016 | PV020 | PV023 | PV028 | PV032 | PV040 | PV046 |
|--|-------------------------|--------|--------|--------|--------|--------|--------|--------|
| Frame size | | 1 | 1 | 1 | 1 | 2 | 2 | 2 |
| Max. displacement | [cm ³ /rev.] | 16 | 20 | 23 | 28 | 32 | 40 | 46 |
| Output flow at 1500 rpm | [l/min] | 24 | 30 | 34,5 | 42 | 48 | 60 | 69 |
| Nominal pressure pN | [bar] | 350 | 350 | 350 | 350 | 350 | 350 | 350 |
| Min. outlet pressure | [bar] | 15 | 15 | 15 | 15 | 15 | 15 | 15 |
| Max. pressure pmax at 20 % working cycle ¹⁾ | [bar] | 420 | 420 | 420 | 420 | 420 | 420 | 420 |
| Case drain pressure, continuous | [bar] | 0.5 | 0.5 | 0.5 | 0.5 | 0.5 | 0.5 | 0.5 |
| Case drain pressure, max. peak | [bar] | 2.0 | 2.0 | 2.0 | 2.0 | 2.0 | 2.0 | 2.0 |
| Min. inlet pressure, abs. | [bar] | 0.8 | 0.8 | 0.8 | 0.8 | 0.8 | 0.8 | 0.8 |
| Max. inlet pressure | [bar] | 16 | 16 | 16 | 16 | 16 | 16 | 16 |
| Input power at 1500 rpm and 350 bar | [kW] | 15.9 | 19.7 | 22.4 | 26.9 | 31.1 | 38.5 | 43.8 |
| Max. input torque at 350 bar | [Nm] | 94.5 | 118.1 | 135.9 | 165.4 | 184.3 | 230.4 | 265.0 |
| Max speed at 1 bar, abs, inlet pressure | [rpm] | 3000 | 3000 | 3000 | 3000 | 2800 | 2800 | 2800 |
| Min. speed | [rpm] | 50 | 50 | 50 | 50 | 50 | 50 | 50 |
| Moment of inertia | [kgm ²] | 0.0016 | 0.0016 | 0.0016 | 0.0016 | 0.0047 | 0.0047 | 0.0047 |
| Weight | [kg] | 19 | 19 | 19 | 19 | 30 | 30 | 30 |

| | | PV063 | PV080 | PV092 | PV140 | PV180 | PV270 | PV360 |
|--|-------------------------|-------|-------|-------|-------|--------|--------|--------|
| Frame size | | 3 | 3 | 3 | 4 | 4 | 5 | 6 |
| Max. displacement | [cm ³ /rev.] | 63 | 80 | 92 | 140 | 180 | 270 | 360 |
| Output flow at 1500 rpm | [l/min] | 94.5 | 120 | 138 | 210 | 270 | 405 | 540 |
| Nominal pressure pN | [bar] | 350 | 350 | 350 | 350 | 350 | 350 | 350 |
| Min. outlet pressure | [bar] | 15 | 15 | 15 | 15 | 15 | 15 | 15 |
| Max. pressure pmax at 20 % working cycle ¹⁾ | [bar] | 420 | 420 | 420 | 420 | 420 | 420 | 420 |
| Case drain pressure, continuous | [bar] | 0.5 | 0.5 | 0.5 | 0.5 | 0.5 | 0.5 | 0.5 |
| Case drain pressure, max. peak | [bar] | 2.0 | 2.0 | 2.0 | 2.0 | 2.0 | 2.0 | 2.0 |
| Min. inlet pressure, abs. | [bar] | 0.8 | 0.8 | 0.8 | 0.8 | 0.8 | 0.8 | 0.8 |
| Max. inlet pressure | [bar] | 16 | 16 | 16 | 16 | 16 | 16 | 16 |
| Input power at 1500 rpm and 350 bar | [kW] | 61.3 | 76.9 | 87.5 | 136.1 | 173.1 | 259.6 | 338.7 |
| Max. input torque at 350 bar | [Nm] | 365.2 | 463.7 | 533.3 | 812.4 | 1044.5 | 1550.5 | 2067.4 |
| Max speed at 1 bar, abs, inlet pressure | [rpm] | 2800 | 2500 | 2300 | 2400 | 2200 | 1800 | 1750 |
| Min. speed | [rpm] | 50 | 50 | 50 | 50 | 50 | 50 | 50 |
| Moment of inertia | [kgm ²] | 0.018 | 0.018 | 0.018 | 0.030 | 0.030 | 0.098 | 0.103 |
| Weight | [kg] | 59 | 59 | 59 | 90 | 90 | 172 | 180 |

¹⁾ Check adjustment range each compensator.



axial piston pump variable displacement

size and displacement

rotation variation

mounting interface threads code

through drive code coupling code

seals

control

see next page →

| Code | Displacement | Size |
|------|-------------------------|------|
| 016 | 16 cm ³ /rev | 1 |
| 020 | 20 cm ³ /rev | 1 |
| 023 | 23 cm ³ /rev | 1 |
| 028 | 28 cm ³ /rev | 1 |

| Code | Rotation ¹⁾ |
|------|------------------------|
| R | Clockwise |
| L | Counter clockwise |

¹⁾ When looked on shaft

| Code | Variation |
|------|---|
| 1 | Standard |
| 4 | Electronic displacement sensor (CIP) ²⁾ |
| 5 | CIP-Sensor & Spec. adjustment ³⁾ (4 & 9) |
| 9 | Special adjustment ³⁾ |

²⁾ not for horse power control, mandatory with FDV/UD*

³⁾ requires Kxxxx number

| Code | Mounting interface | Shaft |
|------|--------------------|-----------------------|
| K | metr. ISO 3019/2 | 4-hole flange Ø100 mm |
| L | | 4-hole flange Ø100 mm |
| D | SAE ISO 3019/1 | 4-hole flange SAE B |
| E | | 4-hole flange SAE B-B |
| | | Cylindric, key |
| | | Splined, DIN 5480 |
| | | Cylindric, key |
| | | Splined, SAE |

| Code | Port ⁴⁾ | Threads ⁵⁾ |
|-----------------|--------------------|-----------------------|
| 1 | BSPP | metric |
| 3 | UNF | UNC |
| 8 ⁶⁾ | ISO 6149 | metric |

⁴⁾ Drain and flushing ports

⁵⁾ All mounting and connecting threads

⁶⁾ Mounting interface, code K and L only

| Code | Seals | Shaft seal |
|------|-------|------------|
| N | NBR | FKM |
| V | FKM | FKM |
| W | NBR | PTFE |

| Code | Coupling for through drive | as single part ⁷⁾ |
|------|---------------------------------------|------------------------------|
| 1 | Single pump, no coupling | |
| H | with coupling 25 x 1.5 x 15, DIN 5480 | MK-PVBG1K01 |
| Y | with coupling SAE A 9T-16/32 DP | MK-PVBG1K11 |
| A | with coupling SAE 11T-16/32 DP | MK-PVBG1K12 |
| B | with coupling SAE B 13T-16/32 DP | MK-PVBG1K13 |
| C | with coupling SAE B-B 15T-16/32 DP | MK-PVBG1K14 |

| Code | Through drive option |
|------|--|
| | No adaptor for 2nd pump |
| T | Single pump prepared for through drive |
| | with adaptor for 2nd pump |
| A | SAE A-2, Ø 82.55 mm |
| B | SAE B-4, Ø 101.6 mm |
| J | metric, Ø 100 mm |
| | as single part ⁷⁾ |
| | MK-PVBG1Axx |
| | MK-PVBG1Bxx |
| | MK-PVBG1Jxx |

See dimensions for details

⁷⁾ to be ordered separately as single part see page 65.

Standard pump is not painted. Black painted pump and ATEX (excludes electronic components) certification (Zone 2) is available as special option. For additional informations please contact Parker Hannifin.

| Code | | | Control options |
|------|---|---|---|
| 0 | 0 | 1 | No control |
| 1 | 0 | 0 | With cover plate, no control function (fixed displacement pump) |
| M | M | | Standard pressure control |
| M | R | | Remote pressure control |
| M | F | | Load Sensing (flow) control |
| M | T | | Two spool LS control |
| | | | Control variation |
| | | C | Standard version, integrated pilot valve ¹⁾ |
| | | 1 | NG6 interface top side for pilot valves ¹⁾ |
| | | 2 | Remote pressure port int. supply , NG6 interface ²⁾ |
| | | 3 | Remote pressure port ext. supply ²⁾ |
| | | W | With unloading function, 24VDC solenoid ¹⁾ |
| | | K | Prop.-pilot valve type PVACRE...K35 mounted |
| | | Z | Without integrated pilot valve, NG6 interface, for mounting of accessory code PVAC* |
| | | B | Without integrated pilot valve, without NG6 interface ³⁾ |
| | | P | MTZ with mounted pilot valve PVAC1P ²⁾ |
| | | F | Prop.-pilot valve PVACRE*35T with OBE mounted, command signal 0 - 10V |
| | | R | Prop.-pilot valve PVACRE*35T with OBE mounted, command signal 4 - 20 mA |

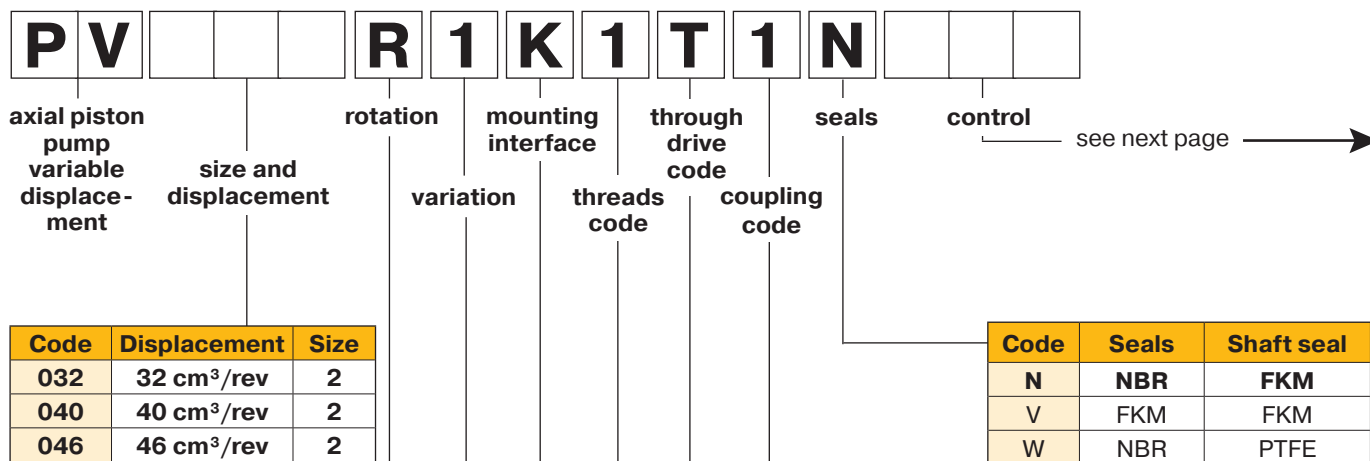
¹⁾ not for MT & *Z
²⁾ only for MT & *Z
³⁾ not for MT & MM

| Horse power / Torque control | | | |
|------------------------------|---|---|---|
| Code | | Nominal HP at 1.500 rpm | Nominal torque |
| B | | 3 kW | 20 Nm |
| C | | 4 kW | 25 Nm |
| D | | 5.5 kW | 35 Nm |
| E | | 7.5 kW | 50 Nm |
| G | | 11 kW | 71 Nm |
| H | | 15 kW | 97 Nm |
| K | | 18.5 kW | 120 Nm |
| Function | | | |
| | L | Horse power control with pressure control ⁴⁾ | |
| | C | Horse power control with load sensing (single spool) | |
| | Z | Horse power control with two spool LS control | |
| Control variation | | | |
| | | C | Standard version, integrated pilot valve ¹⁾ |
| | | 1 | NG 6 interface top side |
| | | W | With unloading function, 24 VDC solenoid |
| | | K | Prop.-pilot valve type PVACRE...K35 mounted |
| | | Z | Without integrated pilot valve, NG6 interface, for mounting of accessory code PVAC* ⁴⁾ |
| | | B | Without integrated pilot valve, without NG6 interface ^{1), 4)} |
| | | P | *ZZ with mounted pilot valve PVAC1P ²⁾ |
| | | F | Prop.-pilot valve PVACRE*35T with OBE mounted, command signal 0 - 10V |
| | | R | Prop.-pilot valve PVACRE*35T with OBE mounted, command signal 4 - 20 mA |

⁴⁾ control variation Z and B without pressure pilot

| Code | | Control option |
|---|-----|---|
| Electro hydraulic control ⁵⁾ | | |
| F | D V | Proportional displacement control, no pressure compensation |
| U | D | Proportional displacement control, with pressure compensation |
| Control variation | | |
| | R | pilot operated pressure control, open NG6 interface |
| | K | pilot operated pressure control, proportional pilot valve type PVACRE...K35 mounted |
| | M | pilot operated pressure control, pressure sensor and proportional pilot valve type PVACRE...K35 mounted for pressure control and/or power control |

⁵⁾ further info in MSG30-3254



| Code | Displacement | Size |
|------|-------------------------|------|
| 032 | 32 cm ³ /rev | 2 |
| 040 | 40 cm ³ /rev | 2 |
| 046 | 46 cm ³ /rev | 2 |

| Code | Seals | Shaft seal |
|------|-------|------------|
| N | NBR | FKM |
| V | FKM | FKM |
| W | NBR | PTFE |

| Code | Rotation ¹⁾ |
|------|------------------------|
| R | Clockwise |
| L | Counter clockwise |

¹⁾ When looked on shaft

| Code | Coupling for through drive | as single part ⁷⁾ |
|------|---------------------------------------|------------------------------|
| 1 | Single pump, no coupling | |
| H | with coupling 25 x 1.5 x 15, DIN 5480 | MK-PVBG2K01 |
| J | with coupling 32 x 1.5 x 20, DIN 5480 | MK-PVBG2K02 |
| Y | with coupling SAE A 9T-16/32 DP | MK-PVBG2K11 |
| A | with coupling SAE 11T-16/32 DP | MK-PVBG2K12 |
| B | with coupling SAE B 13T-16/32 DP | MK-PVBG2K13 |
| C | with coupling SAE B-B 15T-16/32 DP | MK-PVBG2K14 |
| D | with coupling SAE C 14T-12/24 DP | MK-PVBG2K15 |

| Code | Variation |
|------|---|
| 1 | Standard |
| 4 | Electronic displacement sensor (CIP) ²⁾ |
| 5 | CIP-Sensor & Spec. adjustment ³⁾ (4 & 9) |
| 9 | Special adjustment ³⁾ |

²⁾ not for horse power control, mandatory with FDV/UD*
³⁾ requires Kxxxx number

| Code | Mounting interface | Shaft |
|------|--------------------|-----------------------|
| K | metr. ISO 3019/2 | 4-hole flange Ø125 mm |
| L | | 4-hole flange Ø125 mm |
| D | SAE ISO 3019/1 | 4-hole flange SAE C |
| E | SAE ISO 3019/1 | 4-hole flange SAE C |

| Code | Through drive option |
|------|--|
| | No adaptor for 2nd pump |
| T | Single pump prepared for through drive |
| | with adaptor for 2nd pump as single part ⁷⁾ |
| A | SAE A-2, Ø 82.55 mm |
| B | SAE B-2/4, Ø 101.6 mm |
| C | SAE C-4, Ø 127 mm |
| J | metric, Ø 100 mm |
| K | metric, Ø 125 mm |

See dimensions for details
⁷⁾ to be ordered separately as single part see page 65.

| Code | Port ⁴⁾ | Threads ⁵⁾ |
|-----------------|--------------------|-----------------------|
| 1 | BSPP | metric |
| 3 | UNF | UNC |
| 8 ⁶⁾ | ISO 6149 | metric |

⁴⁾ Drain and flushing ports
⁵⁾ All mounting and connecting threads
⁶⁾ Mounting interface, code K and L only

Standard pump is not painted. Black painted pump and ATEX (excludes electronic components) certification (Zone 2) is available as special option. For additional informations please contact Parker Hannifin.



| Code | | | Control options |
|------|---|---|---|
| 0 | 0 | 1 | No control |
| 1 | 0 | 0 | With cover plate, no control function (fixed displacement pump) |
| M | M | | Standard pressure control |
| M | R | | Remote pressure control |
| M | F | | Load Sensing (flow) control |
| M | T | | Two spool LS control |
| | | | Control variation |
| | | C | Standard version, integrated pilot valve ¹⁾ |
| | | 1 | NG6 interface top side for pilot valves ¹⁾ |
| | | 2 | Remote pressure port int. supply , NG6 interface ²⁾ |
| | | 3 | Remote pressure port ext. supply ²⁾ |
| | | W | With unloading function, 24VDC solenoid ¹⁾ |
| | | K | Prop.-pilot valve type PVACRE...K35 mounted |
| | | Z | Without integrated pilot valve, NG6 interface, for mounting of accessory code PVAC* |
| | | B | Without integrated pilot valve, without NG6 interface ³⁾ |
| | | P | MTZ with mounted pilot valve PVAC1P ²⁾ |
| | | F | Prop.-pilot valve PVACRE*35T with OBE mounted, command signal 0 - 10V |
| | | R | Prop.-pilot valve PVACRE*35T with OBE mounted, command signal 4 - 20 mA |

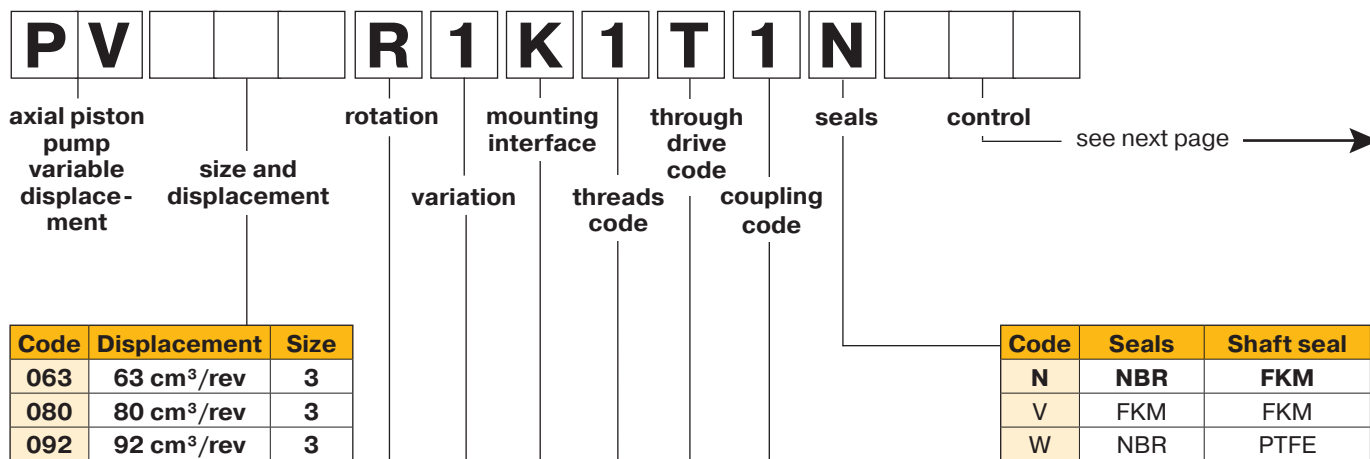
¹⁾ not for MT & *Z
²⁾ only for MT & *Z
³⁾ not for MT & MM

| Horse power / Torque control | | | |
|------------------------------|---|---|---|
| Code | | Nominal HPat 1.500 rpm | Nominal torque |
| D | | 5.5 kW | 35 Nm |
| E | | 7.5 kW | 50 Nm |
| G | | 11 kW | 71 Nm |
| H | | 15 kW | 97 Nm |
| K | | 18.5 kW | 120 Nm |
| M | | 22 kW | 142 Nm |
| S | | 30 kW | 195 Nm |
| Function | | | |
| | L | Horse power control with pressure control ⁴⁾ | |
| | C | Horse power control with load sensing (single spool) | |
| | Z | Horse power control with two spool LS control | |
| Control variation | | | |
| | | C | Standard version, integrated pilot valve ¹⁾ |
| | | 1 | NG 6 interface top side |
| | | W | With unloading function, 24 VDC solenoid |
| | | K | Prop.-pilot valve type PVACRE...K35 mounted |
| | | Z | Without integrated pilot valve, NG6 interface, for mounting of accessory code PVAC* ⁴⁾ |
| | | B | Without integrated pilot valve, without NG6 interface ^{1), 4)} |
| | | P | *ZZ with mounted pilot valve PVAC1P ²⁾ |
| | | F | Prop.-pilot valve PVACRE*35T with OBE mounted, command signal 0 - 10V |
| | | R | Prop.-pilot valve PVACRE*35T with OBE mounted, command signal 4 - 20 mA |

⁴⁾ control variation Z and B without pressure pilot

| Code | | Control option |
|---|-----|---|
| Electro hydraulic control ⁵⁾ | | |
| F | D V | Proportional displacement control, no pressure compensation |
| U | D | Proportional displacement control, with pressure compensation |
| Control variation | | |
| | R | pilot operated pressure control, open NG6 interface |
| | K | pilot operated pressure control, proportional pilot valve type PVACRE...K35 mounted |
| | M | pilot operated pressure control, pressure sensor and proportional pilot valve type PVACRE...K35 mounted for pressure control and/or power control |

⁵⁾ further info in MSG30-3254



| Code | Displacement | Size |
|------|-------------------------|------|
| 063 | 63 cm ³ /rev | 3 |
| 080 | 80 cm ³ /rev | 3 |
| 092 | 92 cm ³ /rev | 3 |

| Code | Seals | Shaft seal |
|------|-------|------------|
| N | NBR | FKM |
| V | FKM | FKM |
| W | NBR | PTFE |

| Code | Rotation ¹⁾ |
|------|------------------------|
| R | Clockwise |
| L | Counter clockwise |

¹⁾ When looked on shaft

| Code | Variation |
|------|---|
| 1 | Standard |
| 4 | Electronic displacement sensor (CIP) ²⁾ |
| 5 | CIP-Sensor & Spec. adjustment ³⁾ (4 & 9) |
| 9 | Special adjustment ³⁾ |

²⁾ not for horse power control, mandatory with FDV/UD*

³⁾ requires Kxxxx number

| Code | Coupling for through drive | as single part ⁸⁾ |
|------|---------------------------------------|------------------------------|
| 1 | Single pump, no coupling | |
| H | with coupling 25 x 1.5 x 15, DIN 5480 | MK-PVBG3K01 |
| J | with coupling 32 x 1.5 x 20, DIN 5480 | MK-PVBG3K02 |
| K | with coupling 40 x 1.5 x 25, DIN 5480 | MK-PVBG3K03 |
| Y | with coupling SAE A 9T-16/32 DP | MK-PVBG3K11 |
| A | with coupling SAE 11T-16/32 DP | MK-PVBG3K12 |
| B | with coupling SAE B 13T-16/32 DP | MK-PVBG3K13 |
| C | with coupling SAE B-B 15T-16/32 DP | MK-PVBG3K14 |
| D | with coupling SAE C 14T-12/24 DP | MK-PVBG3K15 |
| E | with coupling SAE C-C 17T-12/24 DP | MK-PVBG3K16 |
| F | with coupling SAE D, E 13T-8/16 DP | MK-PVBG3K17 |

| Code | Mounting interface | Shaft |
|------|--------------------|-----------------------|
| K | metr. ISO 3019/2 | 4-hole flange Ø160 mm |
| L | | 4-hole flange Ø160 mm |
| D | SAE ISO 3019/1 | 4-hole flange SAE D |
| E | SAE ISO 3019/1 | 4-hole flange SAE D |

| Code | Through drive option |
|------|--|
| | No adaptor for 2nd pump |
| T | Single pump prepared for through drive |
| | with adaptor for 2nd pump as single part ⁸⁾ |
| A | SAE A-2, Ø 82.55 mm |
| B | SAE B-2/4, Ø 101.6 mm |
| C | SAE C-2/4, Ø 127 mm |
| D | SAE D-4, Ø 152.4 mm |
| J | metric, Ø 100 mm |
| K | metric, Ø 125 mm |
| L | metric, Ø 160 mm |

| Code | Port ⁴⁾ | Threads ⁵⁾ |
|-----------------|--------------------|-----------------------|
| 1 | BSPP | metric |
| 3 | UNF | UNC |
| 4 ⁶⁾ | BSPP | metr. M14 |
| 8 ⁷⁾ | ISO 6149 | metric |

See dimensions for details

⁸⁾ to be ordered separately as single part see page 65.

⁴⁾ Drain and flushing ports

⁵⁾ All mounting and connecting threads

⁶⁾ For PV063-PV092 only: pressure port 1 1/4" with 4 x M14 instead of 4 x M12

⁷⁾ for mounting interface K and L only

Standard pump is not painted. Black painted pump and ATEX (excludes electronic components) certification (Zone 2) is available as special option. For additional informations please contact Parker Hannifin.

| Code | | | Control options |
|------|---|---|---|
| 0 | 0 | 1 | No control |
| 1 | 0 | 0 | With cover plate, no control function (fixed displacement pump) |
| M | M | | Standard pressure control |
| M | R | | Remote pressure control |
| M | F | | Load Sensing (flow) control |
| M | T | | Two spool LS control |
| | | | Control variation |
| | | C | Standard version, integrated pilot valve ¹⁾ |
| | | 1 | NG6 interface top side for pilot valves ¹⁾ |
| | | 2 | Remote pressure port int. supply, NG6 interface ²⁾ |
| | | 3 | Remote pressure port ext. supply ²⁾ |
| | | W | With unloading function, 24VDC solenoid ¹⁾ |
| | | K | Prop.-pilot valve type PVACRE...K35 mounted |
| | | Z | Without integrated pilot valve, NG6 interface, for mounting of accessory code PVAC* |
| | | B | Without integrated pilot valve, without NG6 interface ³⁾ |
| | | P | MTZ with mounted pilot valve PVAC1P ²⁾ |
| | | F | Prop.-pilot valve PVACRE*35T with OBE mounted, command signal 0 - 10V |
| | | R | Prop.-pilot valve PVACRE*35T with OBE mounted, command signal 4 - 20 mA |

¹⁾ not for MT & *Z
²⁾ only for MT & *Z
³⁾ not for MT & MM

| Horse power / Torque control | | | |
|------------------------------|---|---|---|
| Code | | Nominal HP at 1.500 rpm | Nominal torque |
| G | | 11 kW | 71 Nm |
| H | | 15 kW | 97 Nm |
| K | | 18.5 kW | 120 Nm |
| M | | 22 kW | 142 Nm |
| S | | 30 kW | 195 Nm |
| T | | 37 kW | 240 Nm |
| U | | 45 kW | 290 Nm |
| W | | 55 kW | 355 Nm |
| Function | | | |
| | L | Horse power control with pressure control ⁴⁾ | |
| | C | Horse power control with load sensing (single spool) | |
| | Z | Horse power control with two spool LS control | |
| Control variation | | | |
| | | C | Standard version, integrated pilot valve ¹⁾ |
| | | 1 | NG 6 interface top side |
| | | W | With unloading function, 24 VDC solenoid |
| | | K | Prop.-pilot valve type PVACRE...K35 mounted |
| | | Z | Without integrated pilot valve, NG6 interface, for mounting of accessory code PVAC* ⁴⁾ |
| | | B | Without integrated pilot valve, without NG6 interface ^{1), 4)} |
| | | P | *ZZ with mounted pilot valve PVAC1P ²⁾ |
| | | F | Prop.-pilot valve PVACRE*35T with OBE mounted, command signal 0 - 10V |
| | | R | Prop.-pilot valve PVACRE*35T with OBE mounted, command signal 4 - 20 mA |

⁴⁾ control variation Z and B without pressure pilot

| Code | | Control option |
|---|-----|---|
| Electro hydraulic control ⁵⁾ | | |
| F | D V | Proportional displacement control, no pressure compensation |
| U | D | Proportional displacement control, with pressure compensation |
| Control variation | | |
| | R | pilot operated pressure control, open NG6 interface |
| | K | pilot operated pressure control, proportional pilot valve type PVACRE...K35 mounted |
| | M | pilot operated pressure control, pressure sensor and proportional pilot valve type PVACRE...K35 mounted for pressure control and/or power control |

⁵⁾ further info in MSG30-3254



axial piston pump variable displacement
 size and displacement
 rotation variation
 mounting interface threads code
 through drive code coupling code
 seals
 control see next page

| Code | Displacement | Size |
|------|--------------------------|------|
| 140 | 140 cm ³ /rev | 4 |
| 180 | 180 cm ³ /rev | 4 |

| Code | Rotation ¹⁾ |
|------|------------------------|
| R | Clockwise |
| L | Counter clockwise |

¹⁾ When looked on shaft

| Code | Variation |
|------|---|
| 1 | Standard |
| 4 | Electronic displacement sensor (CIP) ²⁾ |
| 5 | CIP-Sensor & Spec. adjustment ³⁾ (4 & 9) |
| 9 | Special adjustment ³⁾ |

²⁾ not for horse power control, mandatory with FDV/UD*

³⁾ requires Kxxxx number

| Code | Mounting interface | Shaft |
|------|--------------------|-----------------------|
| K | metr. ISO 3019/2 | 4-hole flange Ø160 mm |
| L | | 4-hole flange Ø160 mm |
| D | SAE ISO 3019/1 | 4-hole flange SAE D |
| E | | 4-hole flange SAE D |
| F | | 4-hole flange SAE D |
| G | | 4-hole flange SAE D |

| Code | Port ⁴⁾ | Threads ⁵⁾ |
|-----------------|--------------------|-----------------------|
| 1 | BSPP | metric |
| 3 | UNF | UNC |
| 4 ⁶⁾ | BSPP | metr. M14 |
| 8 ⁷⁾ | ISO 6149 | metric |

⁴⁾ Drain and flushing ports

⁵⁾ All mounting and connecting threads

⁶⁾ Pressure port 1 1/4" with 4 x M14 instead of 4 x M12

⁷⁾ Mounting interface, code K and L only

Standard pump is not painted. Black painted pump and ATEX (excludes electronic components) certification (Zone 2) is available as special option. For additional informations please contact Parker Hannifin.

| Code | Seals | Shaft seal |
|------|-------|------------|
| N | NBR | FKM |
| V | FKM | FKM |
| W | NBR | PTFE |

| Code | Coupling for through drive | as single part ⁸⁾ |
|------|---------------------------------------|------------------------------|
| 1 | Single pump, no coupling | |
| H | with coupling 25 x 1.5 x 15, DIN 5480 | MK-PVBG4K01 |
| J | with coupling 32 x 1.5 x 20, DIN 5480 | MK-PVBG4K02 |
| K | with coupling 40 x 1.5 x 25, DIN 5480 | MK-PVBG4K03 |
| L | with coupling 50 x 2 x 24, DIN 5480 | MK-PVBG4K04 |
| Y | with coupling SAE A 9T-16/32 DP | MK-PVBG4K11 |
| A | with coupling SAE 11T-16/32 DP | MK-PVBG4K12 |
| B | with coupling SAE B 13T-16/32 DP | MK-PVBG4K13 |
| C | with coupling SAE B-B 15T-16/32 DP | MK-PVBG4K14 |
| D | with coupling SAE C 14T-12/24 DP | MK-PVBG4K15 |
| E | with coupling SAE C-C 17T-12/24 DP | MK-PVBG4K16 |
| F | with coupling SAE D, E 13T-8/16 DP | MK-PVBG4K17 |
| G | with coupling SAE F 15T-8/16 DP | MK-PVBG4K18 |

| Code | Through drive option |
|------|--|
| | No adaptor for 2nd pump |
| T | Single pump prepared for through drive |
| | with adaptor for 2nd pump as single part ⁸⁾ |
| A | SAE A-2, Ø 82.55 mm |
| B | SAE B-2/4, Ø 101.6 mm |
| C | SAE C-2/4, Ø 127.0 mm |
| D | SAE D-4, Ø 152.4 mm |
| J | metric, Ø 100 mm |
| K | metric, Ø 125 mm |
| L | metric, Ø 160 mm |

See dimensions for details

⁸⁾ to be ordered separately as single part see page 65.

| Code | | | Control options |
|------|---|---|---|
| 0 | 0 | 1 | No control |
| 1 | 0 | 0 | With cover plate, no control function (fixed displacement pump) |
| M | M | | Standard pressure control |
| M | R | | Remote pressure control |
| M | F | | Load Sensing (flow) control |
| M | T | | Two spool LS control |
| | | | Control variation |
| | | C | Standard version, integrated pilot valve ¹⁾ |
| | | 1 | NG6 interface top side for pilot valves ¹⁾ |
| | | 2 | Remote pressure port int. supply, NG6 interface ²⁾ |
| | | 3 | Remote pressure port ext. supply ²⁾ |
| | | W | With unloading function, 24VDC solenoid ¹⁾ |
| | | K | Prop.-pilot valve type PVACRE...K35 mounted |
| | | Z | Without integrated pilot valve, NG6 interface, for mounting of accessory code PVAC* |
| | | B | Without integrated pilot valve, without NG6 interface ³⁾ |
| | | P | MTZ with mounted pilot valve PVAC1P ²⁾ |
| | | F | Prop.-pilot valve PVACRE*35T with OBE mounted, command signal 0 - 10V |
| | | R | Prop.-pilot valve PVACRE*35T with OBE mounted, command signal 4 - 20 mA |

1) not for MT & *Z
 2) only for MT & *Z
 3) not for MT & MM

| Horse power / Torque control | | | |
|------------------------------|---|---|---|
| Code | | Nominal HP at 1.500 rpm | Nominal torque |
| K | | 18.5 kW | 120 Nm |
| M | | 22 kW | 142 Nm |
| S | | 30 kW | 195 Nm |
| T | | 37 kW | 240 Nm |
| U | | 45 kW | 290 Nm |
| W | | 55 kW | 355 Nm |
| Y | | 75 kW | 485 Nm |
| Z | | 90 kW | 585 Nm |
| 2 | | 110 kW | 700 Nm |
| Function | | | |
| | L | Horse power control with pressure control ⁴⁾ | |
| | C | Horse power control with load sensing (single spool) | |
| | Z | Horse power control with two spool LS control | |
| Control variation | | | |
| | | C | Standard version, integrated pilot valve ¹⁾ |
| | | 1 | NG 6 interface top side |
| | | W | With unloading function, 24 VDC solenoid |
| | | K | Prop.-pilot valve type PVACRE...K35 mounted |
| | | Z | Without integrated pilot valve, NG6 interface, for mounting of accessory code PVAC* ⁴⁾ |
| | | B | Without integrated pilot valve, without NG6 interface ^{1), 4)} |
| | | P | *ZZ with mounted pilot valve PVAC1P ²⁾ |
| | | F | Prop.-pilot valve PVACRE*35T with OBE mounted, command signal 0 - 10V |
| | | R | Prop.-pilot valve PVACRE*35T with OBE mounted, command signal 4 - 20 mA |

4) control variation Z and B without pressure pilot

| Code | | Control option |
|---|-----|---|
| Electro hydraulic control ⁵⁾ | | |
| F | D V | Proportional displacement control, no pressure compensation |
| U | D | Proportional displacement control, with pressure compensation |
| Control variation | | |
| | R | pilot operated pressure control, open NG6 interface |
| | K | pilot operated pressure control, proportional pilot valve type PVACRE...K35 mounted |
| | M | pilot operated pressure control, pressure sensor and proportional pilot valve type PVACRE...K35 mounted for pressure control and/or power control |

5) further info in MSG30-3254



axial piston pump variable displacement

size and displacement

rotation variation

mounting interface threads code

through drive code coupling code

seals

control

see next page →

| Code | Displacement | Size |
|------|--------------------------|------|
| 270 | 270 cm ³ /rev | 5 |

| Code | Rotation ¹⁾ |
|------|------------------------|
| R | Clockwise |
| L | Counter clockwise |

¹⁾ When looked on shaft

| Code | Variation |
|------|---|
| 1 | Standard |
| 4 | Electronic displacement sensor (CIP) ²⁾ |
| 5 | CIP-Sensor & Spec. adjustment ³⁾ (4 & 9) |
| 9 | Special adjustment ³⁾ |

²⁾ not for horse power control, mandatory with FDV/UD*

³⁾ requires Kxxxx number

| Code | Mounting interface | Shaft |
|------|---|-------------------|
| K | metr. ISO 3019/2 4-hole flange Ø200 mm | Cylindric, key |
| L | | Splined, DIN 5480 |
| D | SAE ISO 3019/1 4-hole flange SAE E | Cylindric, key |
| E | 4-hole flange SAE E | Splined, SAE |

| Code | Port ⁴⁾ | Threads ⁵⁾ |
|------|--------------------|-----------------------|
| 1 | BSPP | metric |
| 3 | UNF | UNC |
| 8 | ISO 6149 | metric |

⁴⁾ Drain and flushing ports

⁵⁾ All mounting and connecting threads

| Code | Seals | Shaft seal |
|------|-------|------------|
| N | NBR | FKM |
| V | FKM | FKM |
| W | NBR | PTFE |

| Code | Coupling for through drive | as single part ⁶⁾ |
|------|---------------------------------------|------------------------------|
| 1 | Single pump, no coupling | |
| H | with coupling 25 x 1.5 x 15, DIN 5480 | MK-PVVG5K01 |
| J | with coupling 32 x 1.5 x 20, DIN 5480 | MK-PVVG5K02 |
| K | with coupling 40 x 1.5 x 25, DIN 5480 | MK-PVVG5K03 |
| L | with coupling 50 x 2 x 24, DIN 5480 | MK-PVVG5K04 |
| M | with coupling 60 x 2 x 28, DIN 5480 | MK-PVVG5K05 |
| Y | with coupling SAE A 9T-16/32 DP | MK-PVVG5K11 |
| A | with coupling SAE 11T-16/32 DP | MK-PVVG5K12 |
| B | with coupling SAE B 13T-16/32 DP | MK-PVVG5K13 |
| C | with coupling SAE B-B 15T-16/32 DP | MK-PVVG5K14 |
| D | with coupling SAE C 14T-12/24 DP | MK-PVVG5K15 |
| E | with coupling SAE C-C 17T-12/24 DP | MK-PVVG5K16 |
| F | with coupling SAE D, E 13T-8/16 DP | MK-PVVG5K17 |
| G | with coupling SAE F 15T-8/16 DP | MK-PVVG5K18 |

| Code | Through drive option | |
|------|--|-------------|
| | No adaptor for 2nd pump | |
| T | Single pump prepared for through drive | |
| | with adaptor for 2nd pump as single part ⁶⁾ | |
| A | SAE A-2, Ø 82.55 mm | MK-PVVG5Axx |
| B | SAE B-2/4, Ø 101.6 mm | MK-PVVG5Bxx |
| C | SAE C-2/4, Ø 127 mm | MK-PVVG5Cxx |
| D | SAE D-4, Ø 152.4 mm | MK-PVVG5Dxx |
| E | SAE E-4, Ø 165.1 mm | MK-PVVG5Exx |
| J | metric, Ø 100 mm | MK-PVVG5Jxx |
| K | metric, Ø 125 mm | MK-PVVG5Kxx |
| L | metric, Ø 160 mm | MK-PVVG5Lxx |
| M | metric, Ø 200 mm | MK-PVVG5Mxx |

See dimensions for details

⁶⁾ to be ordered separately as single part see page 65.

Standard pump is not painted. Black painted pump and ATEX (excludes electronic components) certification (Zone 2) is available as special option. For additional informations please contact Parker Hannifin.

| Code | | | Control options |
|------|---|---|---|
| 0 | 0 | 1 | No control |
| 1 | 0 | 0 | With cover plate, no control function (fixed displacement pump) |
| M | M | | Standard pressure control |
| M | R | | Remote pressure control |
| M | F | | Load Sensing (flow) control |
| M | T | | Two spool LS control |
| | | | Control variation |
| | | C | Standard version, integrated pilot valve ¹⁾ |
| | | 1 | NG6 interface top side for pilot valves ¹⁾ |
| | | 2 | Remote pressure port int. supply, NG6 interface ²⁾ |
| | | 3 | Remote pressure port ext. supply ²⁾ |
| | | W | With unloading function, 24VDC solenoid ¹⁾ |
| | | K | Prop.-pilot valve type PVACRE...K35 mounted |
| | | Z | Without integrated pilot valve, NG6 interface, for mounting of accessory code PVAC* |
| | | B | Without integrated pilot valve, without NG6 interface ³⁾ |
| | | P | MTZ with mounted pilot valve PVAC1P ²⁾ |
| | | F | Prop.-pilot valve PVACRE*35T with OBE mounted, command signal 0 - 10 V |
| | | R | Prop.-pilot valve PVACRE*35T with OBE mounted, command signal 4 - 20 mA |

¹⁾ not for MT & *Z
²⁾ only for MT & *Z
³⁾ not for MT & MM

| Horse power / Torque control | | | |
|------------------------------|--|-------------------------|----------------|
| Code | | Nominal HP at 1.500 rpm | Nominal torque |
| T | | 37 kW | 240 Nm |
| U | | 45 kW | 290 Nm |
| W | | 55 kW | 350 Nm |
| Y | | 75 kW | 480 Nm |
| Z | | 90 kW | 580 Nm |
| 2 | | 110 kW | 700 Nm |
| 3 | | 132 kW | 840 Nm |
| 4 | | 160 kW | 1020 Nm |
| 5 | | 180 kW | 1150 Nm |
| 6 | | 200 kW | 1280 Nm |

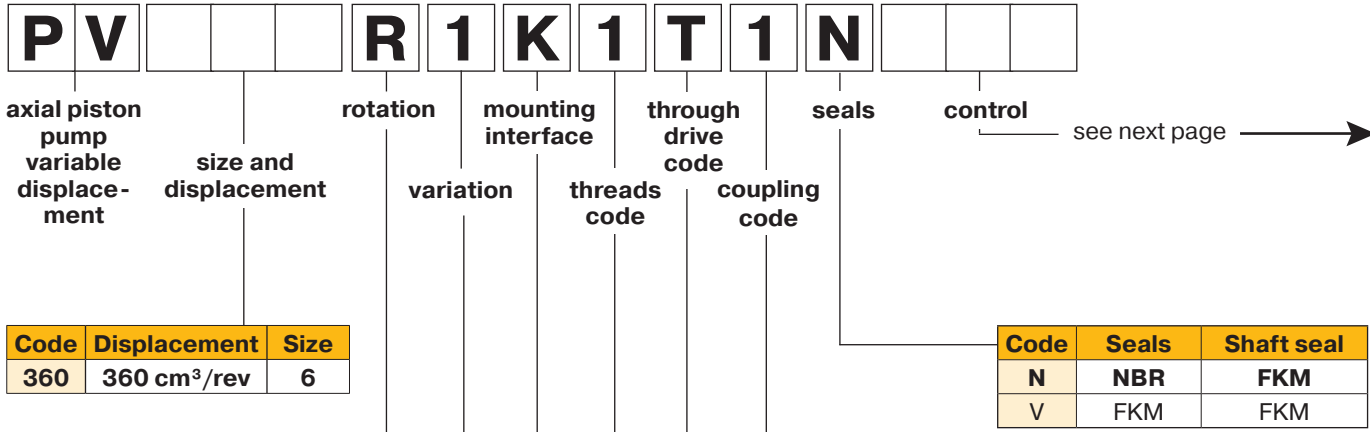
| Function | | |
|----------|---|---|
| | L | Horse power control with pressure control ⁴⁾ |
| | C | Horse power control with load sensing (single spool) |
| | Z | Horse power control with two spool LS control |

| Control variation | | |
|-------------------|--|---|
| | | C Standard version, integrated pilot valve ¹⁾ |
| | | 1 NG 6 interface top side |
| | | W With unloading function, 24 VDC solenoid |
| | | K Prop.-pilot valve type PVACRE...K35 mounted |
| | | Z Without integrated pilot valve, NG6 interface, for mounting of accessory code PVAC* ⁴⁾ |
| | | B Without integrated pilot valve, without NG6 interface ^{1), 4)} |
| | | P *ZZ with mounted pilot valve PVAC1P ²⁾ |
| | | F Prop.-pilot valve PVACRE*35T with OBE mounted, command signal 0 - 10V |
| | | R Prop.-pilot valve PVACRE*35T with OBE mounted, command signal 4 - 20mA |

⁴⁾ control variation Z and B without pressure pilot

| Code | | Control option |
|---|-----|---|
| Electro hydraulic control ⁵⁾ | | |
| F | D V | Proportional displacement control, no pressure compensation |
| U | D | Proportional displacement control, with pressure compensation |
| Control variation | | |
| | R | pilot operated pressure control, open NG6 interface |
| | K | pilot operated pressure control, proportional pilot valve type PVACRE...K35 mounted |
| | M | pilot operated pressure control, pressure sensor and proportional pilot valve type PVACRE...K35 mounted for pressure control and/or power control |

⁵⁾ further info in MSG30-3254



| Code | Displacement | Size |
|------|--------------------------|------|
| 360 | 360 cm ³ /rev | 6 |

| Code | Rotation ¹⁾ |
|------|------------------------|
| R | Clockwise |
| L | Counter clockwise |

¹⁾ When looked on shaft

| Code | Variation |
|------|---|
| 1 | Standard |
| 4 | Electronic displacement sensor (CIP) ²⁾ |
| 5 | CIP-Sensor & Spec. adjustment ³⁾ (4 & 9) |
| 9 | Special adjustment ³⁾ |

²⁾ not for horse power control, mandatory with FDV/UD*

³⁾ requires Kxxxx number

| Code | Mounting interface | Shaft |
|------|-----------------------|-----------------------|
| K | 4-hole flange Ø250 mm | Cylindric, key |
| L | metr. ISO 3019/2 | 4-hole flange Ø250 mm |
| R | | 4-hole flange Ø224 mm |
| T | | 4-hole flange Ø224 mm |
| D | SAE ISO 3019/1 | 4-hole flange SAE E |
| E | | 4-hole flange SAE E |

| Code | Port ⁴⁾ | Threads ⁵⁾ |
|------|--------------------|-----------------------|
| 1 | BSPP | metric |
| 3 | UNF | UNC |

⁴⁾ Drain and flushing ports

⁵⁾ All mounting and connecting threads

| Code | Seals | Shaft seal |
|------|-------|------------|
| N | NBR | FKM |
| V | FKM | FKM |

| Code | Coupling for through drive | as single part ⁶⁾ |
|------|---------------------------------------|------------------------------|
| 1 | Single pump, no coupling | |
| H | with coupling 25 x 1.5 x 15, DIN 5480 | MK-PVBG5K01 |
| J | with coupling 32 x 1.5 x 20, DIN 5480 | MK-PVBG5K02 |
| K | with coupling 40 x 1.5 x 25, DIN 5480 | MK-PVBG5K03 |
| L | with coupling 50 x 2 x 24, DIN 5480 | MK-PVBG5K04 |
| M | with coupling 60 x 2 x 28, DIN 5480 | MK-PVBG5K05 |
| P | with coupling 70 x 3 x 22, DIN 5480 | MK-PVBG5K06 |
| Y | with coupling SAE A 9T-16/32 DP | MK-PVBG5K11 |
| A | with coupling SAE 11T-16/32 DP | MK-PVBG5K12 |
| B | with coupling SAE B 13T-16/32 DP | MK-PVBG5K13 |
| C | with coupling SAE B-B 15T-16/32 DP | MK-PVBG5K14 |
| D | with coupling SAE C 14T-12/24 DP | MK-PVBG5K15 |
| E | with coupling SAE C-C 17T-12/24 DP | MK-PVBG5K16 |
| F | with coupling SAE D, E 13T-8/16 DP | MK-PVBG5K17 |
| G | with coupling SAE F 15T-8/16 DP | MK-PVBG5K18 |

| Code | Through drive option |
|------|---|
| | No adaptor for 2nd pump |
| T | Single pump prepared for through drive |
| | with adaptor for 2nd pump as single part ⁶⁾ |
| A | SAE A-2, Ø 82.55 mm |
| B | SAE B-2/4, Ø 101.6 mm |
| C | SAE C-2/4, Ø 127 mm |
| D | SAE D-4, Ø 152.4 mm |
| E | SAE E-4, Ø 165.1 mm |
| J | metric, Ø 100 mm |
| K | metric, Ø 125 mm |
| L | metric, Ø 160 mm |
| M | metric, Ø 200 mm |

See dimensions for details

⁶⁾ to be ordered separately as single part see page 65.

Standard pump is not painted. Black painted pump and ATEX (excludes electronic components) certification (Zone 2) is available as special option. For additional informations please contact Parker Hannifin.

| Code | | | Control options |
|------|---|---|---|
| 0 | 0 | 1 | No control |
| 1 | 0 | 0 | With cover plate, no control function (fixed displacement pump) |
| M | M | | Standard pressure control |
| M | R | | Remote pressure control |
| M | F | | Load Sensing (flow) control |
| M | T | | Two spool LS control |
| | | | Control variation |
| | | C | Standard version, integrated pilot valve ¹⁾ |
| | | 2 | Remote pressure port int. supply , NG6 interface ²⁾ |
| | | 3 | Remote pressure port ext. supply ²⁾ |
| | | W | With unloading function, 24VDC solenoid ¹⁾ |
| | | K | Prop.-pilot valve type PVACRE...K35 mounted |
| | | Z | Without integrated pilot valve, NG6 interface, for mounting of accessory code PVAC* |
| | | B | Without integrated pilot valve, without NG6 interface ³⁾ |
| | | P | MTZ with mounted pilot valve PVAC1P ²⁾ |
| | | F | Prop.-pilot valve PVACRE*35T with OBE mounted, command signal 0 - 10V |
| | | R | Prop.-pilot valve PVACRE*35T with OBE mounted, command signal 4 - 20 mA |

¹⁾ not for MT & *Z
²⁾ only for MT & *Z
³⁾ not for MT & MM

| Horse power / Torque control | | | |
|------------------------------|---|-------------------------|---|
| Code | | Nominal HP at 1.500 rpm | Nominal torque |
| U | | 45 kW | 290 Nm |
| W | | 55 kW | 350 Nm |
| Y | | 75 kW | 480 Nm |
| Z | | 90 kW | 580 Nm |
| 2 | | 110 kW | 700 Nm |
| 3 | | 132 kW | 840 Nm |
| 4 | | 160 kW | 1020 Nm |
| 5 | | 180 kW | 1150 Nm |
| 6 | | 200 kW | 1280 Nm |
| Function | | | |
| | L | | Horse power control with pressure control ⁴⁾ |
| | C | | Horse power control with load sensing (single spool) |
| | Z | | Horse power control with two spool LS control |
| Control variation | | | |
| | | C | Standard version, integrated pilot valve ¹⁾ |
| | | 1 | NG 6 interface top side |
| | | W | With unloading function, 24 VDC solenoid |
| | | K | Prop.-pilot valve type PVACRE...K35 mounted |
| | | Z | Without integrated pilot valve, NG6 interface, for mounting of accessory code PVAC* ⁴⁾ |
| | | B | Without integrated pilot valve, without NG6 interface ^{1), 4)} |
| | | P | *ZZ with mounted pilot valve PVAC1P ²⁾ |
| | | F | Prop.-pilot valve PVACRE*35T with OBE mounted, command signal 0 - 10V |
| | | R | Prop.-pilot valve PVACRE*35T with OBE mounted, command signal 4 - 20 mA |

Remark:
 As torque is pretty much speed independent power at alternative speeds can get recalculated to 1500 rpm for code selection easily.

Example:
 Your engine allows 90 kW @ 1800 rpm →
 $\frac{90 \text{ kW}}{1800 \text{ rpm}} \times 1500 \text{ rpm} = 75 \text{ kW}$
 → select a first digit "Y"-control.

⁴⁾ control variation Z and B without pressure pilot

| Code | | Control option |
|---|-----|---|
| Electro hydraulic control ⁵⁾ | | |
| F | D V | Proportional displacement control, no pressure compensation |
| U | D | Proportional displacement control, with pressure compensation |
| Control variation | | |
| | R | pilot operated pressure control, open NG6 interface |
| | K | pilot operated pressure control, proportional pilot valve type PVACRE...K35 mounted |
| | M | pilot operated pressure control, pressure sensor and proportional pilot valve type PVACRE...K35 mounted for pressure control and/or power control |

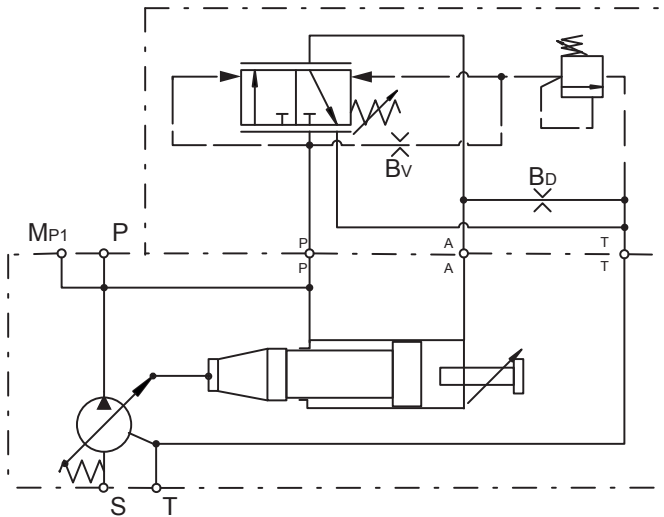
⁵⁾ further info in MSG30-3254

Standard Pressure Control

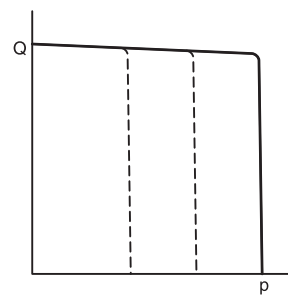
Control option MMC

The standard pressure control adjusts the pump displacement according to the actual need of flow in the system in order to keep the pressure constant.

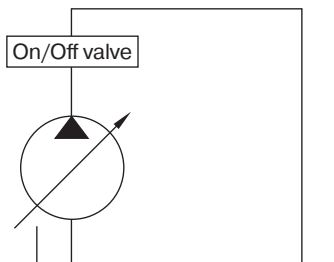
Control schematics



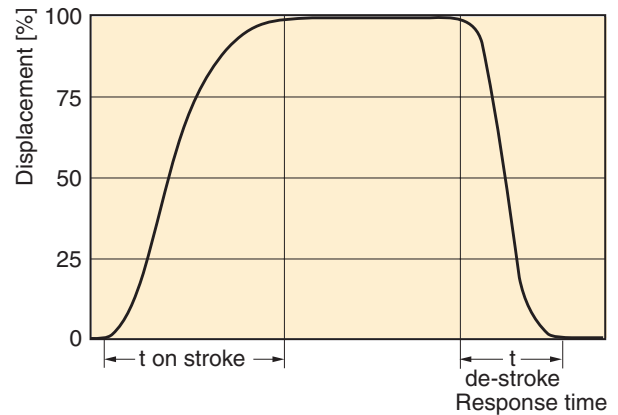
Note: Upgrade to the MRC control by simply removing the ISO 6149 M14x1.5-plug. Thread adapters PVCCCK** (last two digits defining seal and thread) are available separately if required. PVCCKN1 for ex. for NBR-sealed and towards G1/4 BSPP. Please consult spares list for all further versions.



Response times of the pump are collected from a circuit as below by measuring the pumps swash angle movement at different pressures.



Dynamic characteristic of flow control *



* Curve shown exaggerated

| | Time on-stroke [ms] | | Time de-stroke [ms] | |
|-------|---------------------|-----------------|---------------------|---------------------|
| | against 50 bar | against 350 bar | zero stroke 50 bar | zero stroke 350 bar |
| PV360 | 520 | 180 | 120 | 82 |

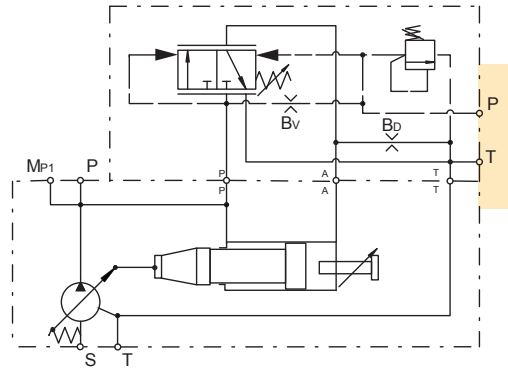
| | |
|--|------------------|
| Pressure adjustment range | 15 to 420 bar |
| Factory setting pressure | 50 bar |
| Differential pressure adjustment range | 10 to 40 bar |
| Factory setting differential pressure | 15 bar |
| Control oil consumption | Max 8.0 l/min |
| Typical pilot flow | approx 1.5 l/min |

Standard Pressure Control with NG6 Interface

Control option MM1

With code MM1 the standard pressure control has a valve interface size NG 6 DIN 24340 (CETOP 03 acc. RP35H, NFPA D03) on the top side.

This interface allows the mounting of accessories like multiple pressure selectors without the need of external piping and valve mounting.

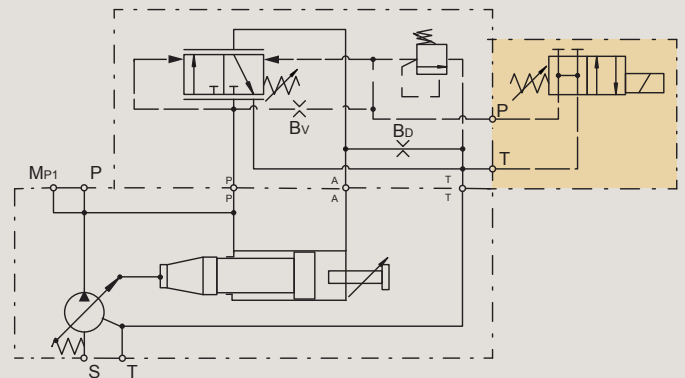


Standard Pressure Control with Electrical Unloading

Control option MMW

With code MMW a solenoid operated directional control valve (D1VW002KNJW) for electrical unloading is mounted on the control top side.

When the solenoid is de-energised, the pump compensates at a stand-by pressure of typically 15 bar. When the solenoid is energised, the pump compensates at the pressure adjusted on the integrated pilot valve.

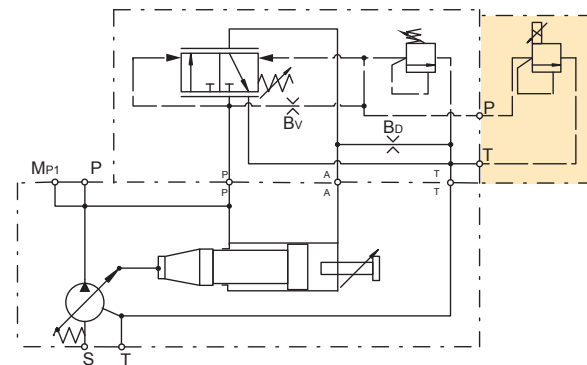


Standard Pressure Control with Proportional Pilot Valve

Control option MMK

With code MMK a proportional pilot valve of type PVACRE... K35 (see page 43) is mounted on the top side interface.

This allows a variation of the pump compensating pressure between 20 and 350 bar by an electrical signal.



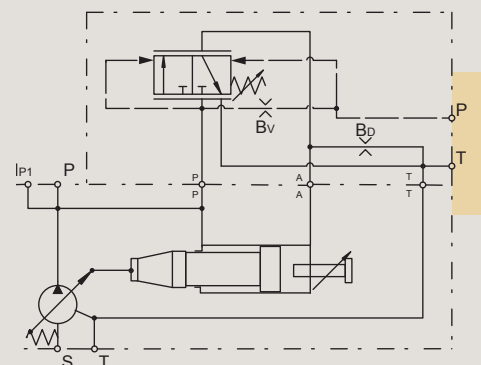
Standard Pressure Control without Integrated Pressure Pilot Valve

Control option MMZ

Control MMZ has no integrated pilot valve but a valve interface NG6 DIN 24340 on the top.

This version is recommended for valve accessories.

For operation at >350 bar please select respective valve accessories (see page 40)



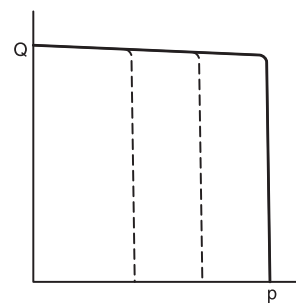
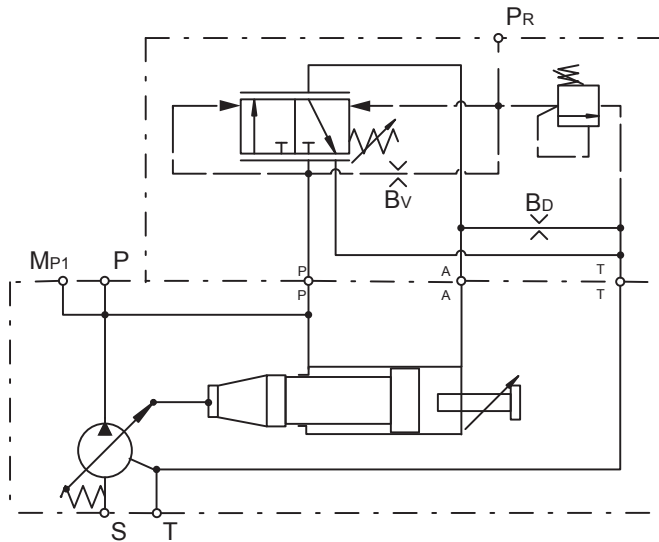
Remote Pressure Control

Control option MRC

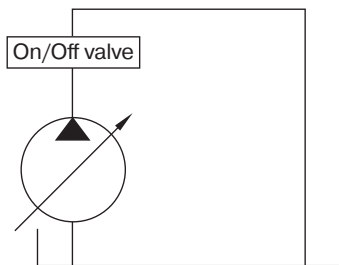
The remote pressure control adjusts the pump displacement according to the actual need of flow in the system

in order to keep the pressure constant at a level given by a remotely installed pilot valve.

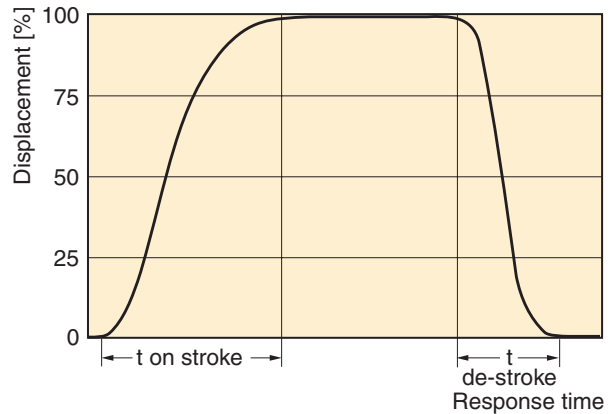
Control schematics



Response times of the pump are collected from a circuit as below by measuring the pumps swash angle movement at different pressures.



Dynamic characteristic of flow control *



* Curve shown exaggerated

| | Time on-stroke [ms] | | Time de-stroke [ms] | |
|-------|---------------------|-----------------|---------------------|---------------------|
| | against 50 bar | against 350 bar | zero stroke 50 bar | zero stroke 350 bar |
| PV360 | 520 | 180 | 120 | 82 |

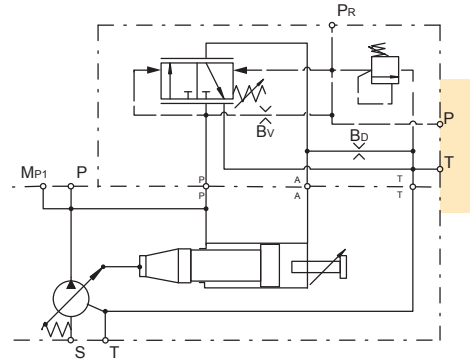
| | |
|--|------------------|
| Pressure adjustment range | 15 to 420 bar |
| Factory setting pressure | 50 bar |
| Differential pressure adjustment range | 10 to 40 bar |
| Factory setting differential pressure | 15 bar |
| Control oil consumption | Max 8.0 l/min |
| Typical pilot flow | approx 1.5 l/min |

Remote Pressure Control with NG6 Interface

Control option MR1

With code MR1 the remote pressure control has a valve interface size NG 6 DIN 24340 (CETOP 03 acc. RP35H, NFPA D03) on the top side.

This interface allows the mounting of accessories like multiple pressure selectors without the need of external piping and valve mounting.

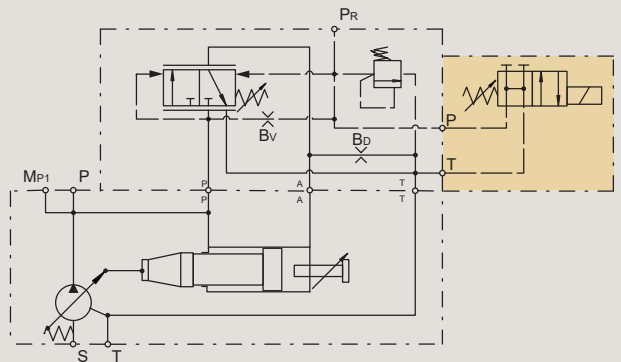


Remote Pressure Control with Electrical Unloading

Control option MRW

With code MRW a solenoid operated directional control valve (D1VW002KNJW) for electrical unloading is mounted on the control top side.

When the solenoid is de-energised, the pump compensates at a stand-by pressure of typically 15 bar. When the solenoid is energised, the pump compensates at the pressure adjusted on the integrated pilot valve.

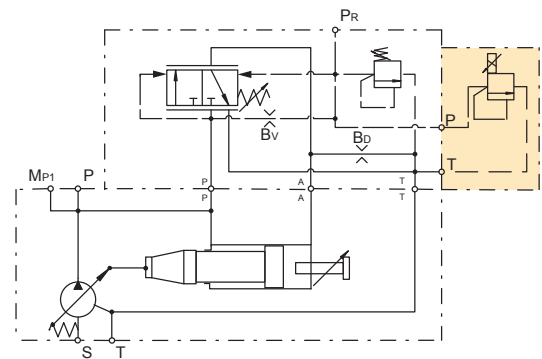


Remote Pressure Control with Proportional Pilot Valve

Control option MRK

With code MRK a proportional pilot valve of type PVACRE...K35 (see page 43) is mounted on the top side interface.

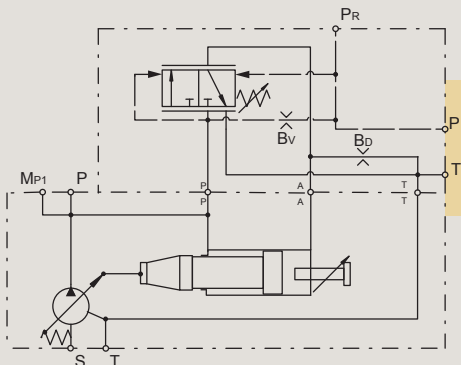
This allows a variation of the pump compensating pressure between 20 and 350 bar by an electrical signal.



Remote Pressure Control without Integrated Pressure Pilot Valve

Control option MRZ

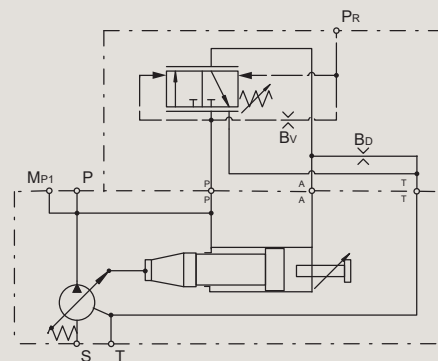
Control MRZ has no integrated pilot valve but a NG6 DIN 24340 interface topside.



This version is recommended for valve accessories.

Control option MRB

Control MRB has no integrated pilot valve.



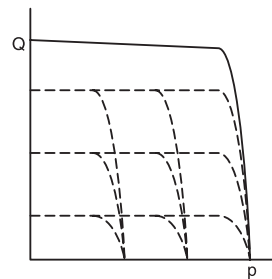
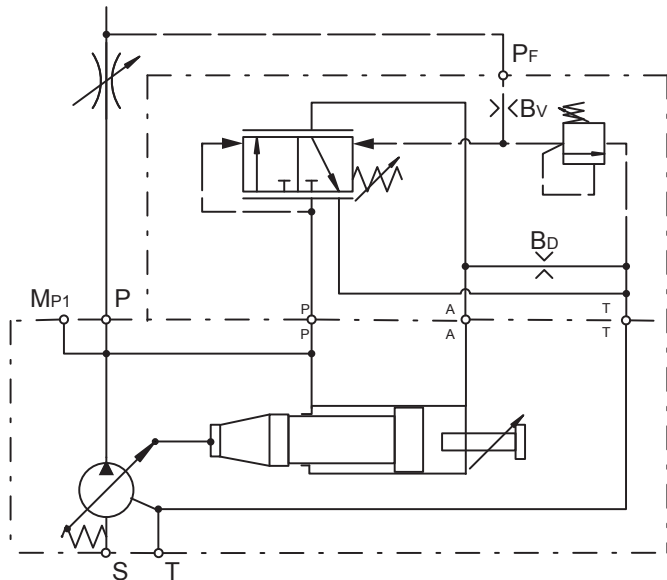
Load Sensing Control

Control option MFC

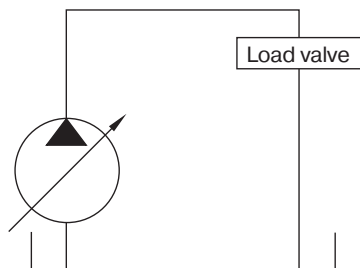
The pilot pressure of the load sensing control is taken from a load sensing port in the hydraulic system. It is

used to match pump flow to system demands. Integrated pilot valve allows pmax adjustment.

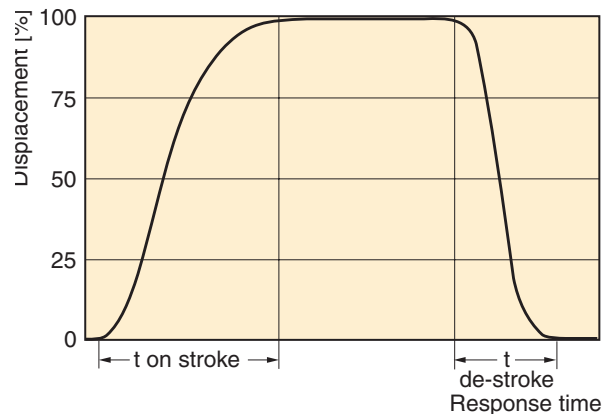
Control schematics



Response times of the pump are collected from a circuit as below by measuring the pumps swash angle movement at different pressures.



Dynamic characteristic of flow control *



* Curve shown exaggerated

| | Time on-stroke [ms] | | Time de-stroke [ms] | |
|-------|---------------------|---------------------|---------------------|---------------------|
| | stand-by to 50 bar | stand-by to 350 bar | 50 bar to stand-by | 350 bar to stand-by |
| PV360 | 500 | 690 | 830 | 50 |

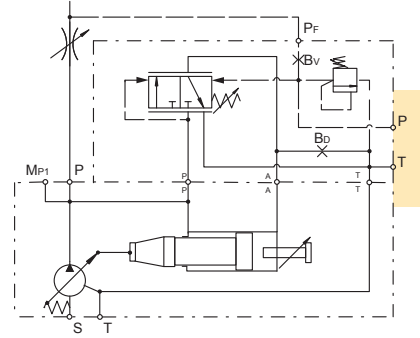
| | |
|--|------------------|
| Pressure adjustment range | 15 to 420 bar |
| Factory setting pressure | 50 bar |
| Differential pressure adjustment range | 10 to 40 bar |
| Factory setting differential pressure | 10 bar |
| Control oil consumption | Max 8.0 l/min |
| Typical pilot flow | approx 1.5 l/min |

Load Sensing Control with NG6 Interface

Control option MF1

With code MF1 the remote pressure control has a valve interface size NG 6 DIN 24340 (CETOP 03 acc. RP35H, NFPA D03) on the top side.

This interface allows the mounting of accessories like multiple pressure selectors without the need of external piping and valve mounting.

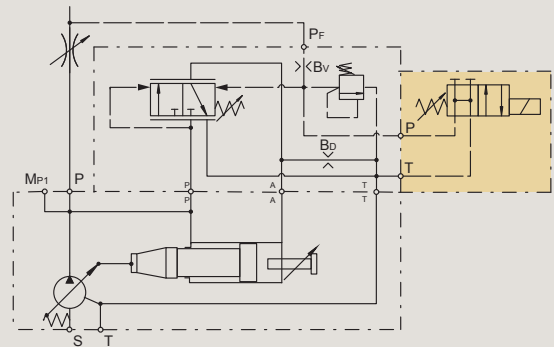


Load Sensing Control with Electrical Unloading

Control option MFW

With code MFW a solenoid operated directional control valve (D1VW002KNJW) for electrical unloading is mounted on the control top side.

When the solenoid is de-energised, the pump compensates at a stand-by pressure of typically 15 bar. When the solenoid is energised, the pump compensates at the pressure adjusted on the integrated pilot valve.

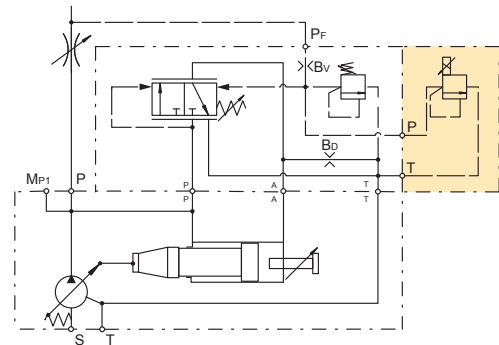


Load Sensing Control with Proportional Pilot Valve

Control option MFK

With code MFK a proportional pilot valve of type PVACRE...K35 (see page 43) is mounted on the top side interface.

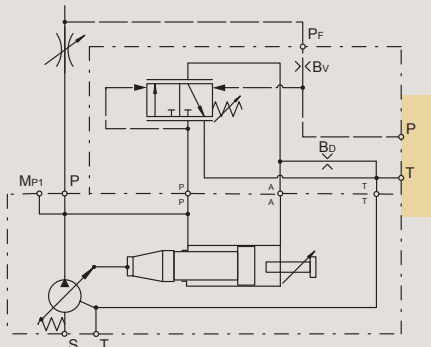
This allows a variation of the pump compensating pressure between 20 and 350 bar by an electrical signal.



Load Sensing Control without Integrated Pressure Pilot Valve

Control option MFZ

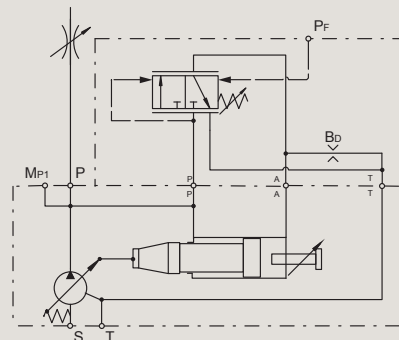
Control MFZ has no integrated pilot valve but a NG6 DIN 24340 interface topside.



This version is recommended for valve accessories.

Control option MFB

Control MFB has no integrated pilot valve.



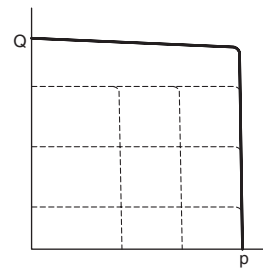
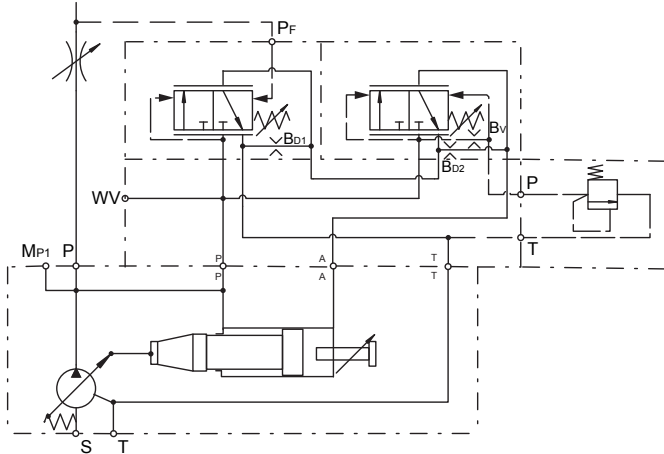
2 Spool Load Sensing Control

Control option MTP

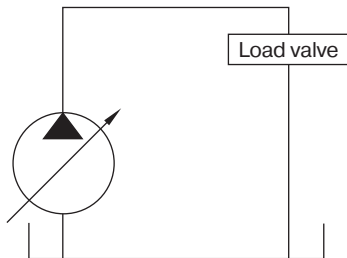
The pilot pressure of the load sensing control is taken from a load sensing port in the hydraulic system. It is used to match pump flow to system demands. With the 2

spool control the interaction of the two control functions is avoided by using two separate control valves for flow and pressure compensation.

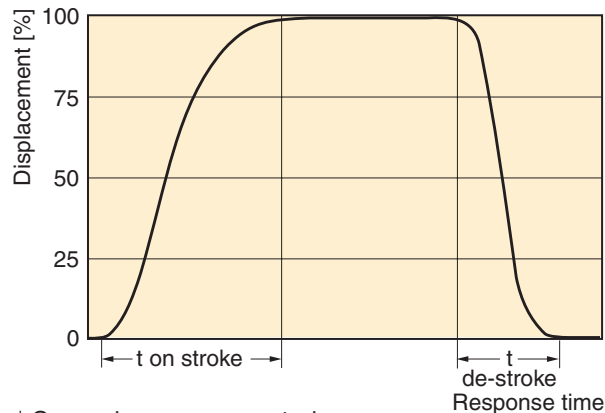
Control schematics



Response times of the pump are collected from a circuit as below by measuring the pumps swash angle movement at different pressures.



Dynamic characteristic of flow control *



* Curve shown exaggerated

| | Time on-stroke [ms] | | Time de-stroke [ms] | |
|-------|---------------------|---------------------|---------------------|---------------------|
| | stand-by to 50 bar | stand-by to 350 bar | 50 bar to stand-by | 350 bar to stand-by |
| PV360 | 920 | 670 | 1000 | 170 |

| | |
|---|------------------|
| Pressure adjustment range | 15 to 420 bar |
| Factory setting pressure | 50 bar |
| Differential pressure adjustment range | 10 to 40 bar |
| Factory setting differential pressure load sensing | 10 bar |
| Factory setting differential pressure, pressure control | 15 bar |
| Control oil consumption | Max 8.0 l/min |
| Typical pilot flow | approx 1.5 l/min |

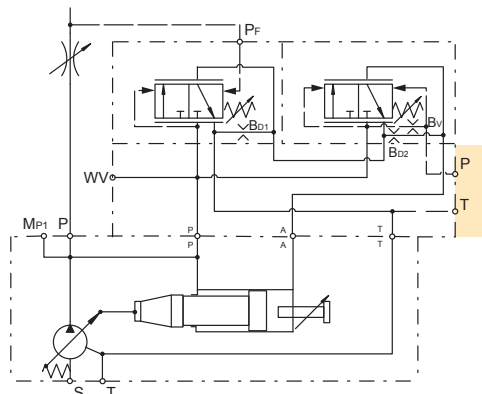
2 Spool Load Sensing Control with NG6 Interface without Integrated Pressure Pilot Valve

Control option MTZ

Control MTZ has no integrated pressure pilot valve but NG 6 DIN 24340 (CETOP 03 acc. RP35H, NFPA D03) on the top side.

This interface allows the mounting of accessories like multiple pressure selectors without the need of external piping and valve mounting.

Note: The MT1 control option is not available for new releases as is it identical to the MTZ control.

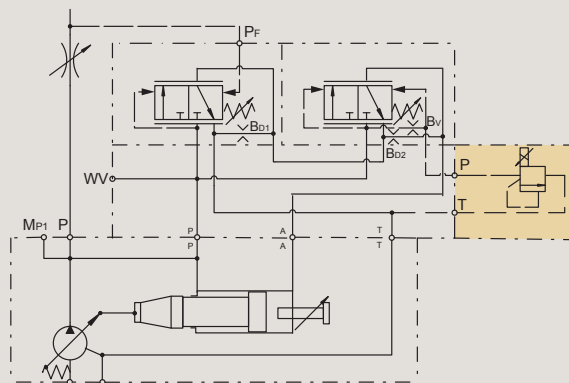


2 Spool Load Sensing Control with Proportional Pilot Valve

Control option MTK

With code MTK a proportional pilot valve of type PVACRE...K35 (see page 43) is mounted on the top side interface.

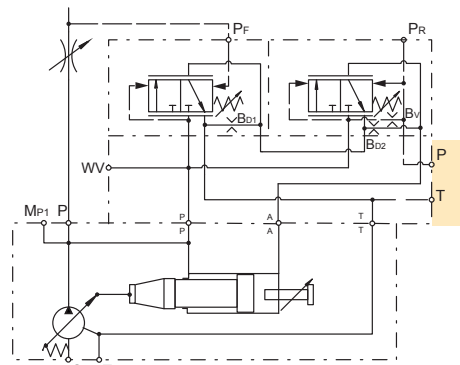
This allows a variation of the pump compensating pressure between 20 and 350 bar by an electrical signal.



2 Spool Load Sensing Control without Integrated Pressure Pilot Valve

Control option MT2

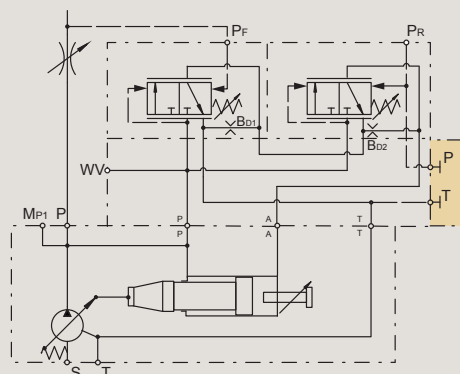
Control MT2 has a valve interface NG6 DIN 24340 on the top side and remote pressure port internal supply.



2 Spool Load Sensing Control without Integrated Pressure Pilot Valve

Control option MT3

Control MT3 with pressure remote port external supply. Incl. closed NG6-pad.



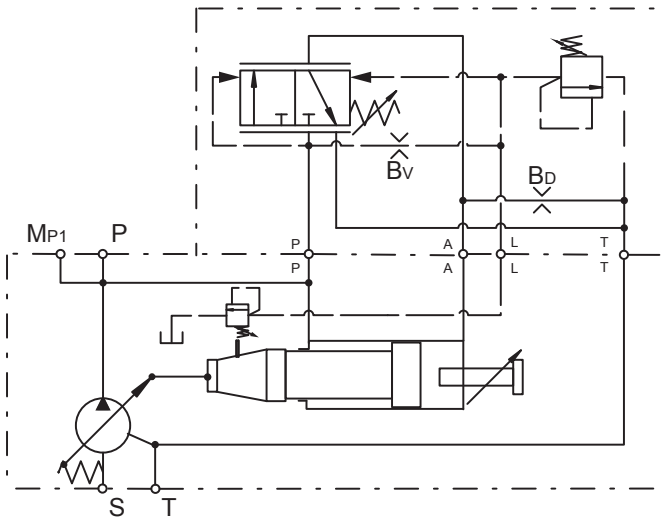
Horse Power/Torque Controls with Pressure Control

Control option *LC

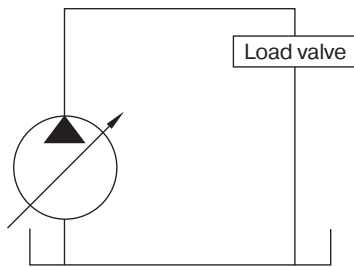
The horse power control type *L* provides the benefit of the pressure control, plus the ability to limit the input power the pump will draw. These controls are beneficial when the power available from the prime mover for the

hydraulics is limited or the application power demand has both high flow/low pressure and low flow/high pressure duty cycles.

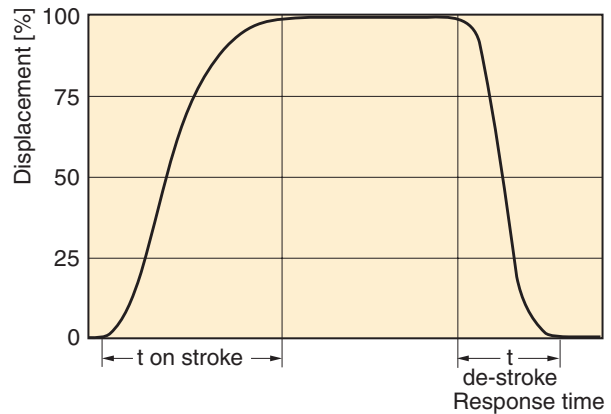
Control schematics



Response times of the pump are collected from a circuit as below by measuring the pumps swash angle movement at different pressures.



Dynamic characteristic of flow control *



* Curve shown exaggerated

| | Time on-stroke [ms] | | Time de-stroke [ms] | |
|-------|---------------------|-----------------|---------------------|---------------------|
| | against 50 bar | against 350 bar | zero stroke 50 bar | zero stroke 350 bar |
| PV360 | 90 | 90 | 100 | 100 |

| | |
|--|------------------|
| Pressure adjustment range | 15 to 350 bar |
| Factory setting pressure | 350 bar |
| Differential pressure adjustment range | 10 to 40 bar |
| Factory setting differential pressure | 15 bar |
| Control oil consumption | Max 8.0 l/min |
| Typical pilot flow | approx 1.5 l/min |

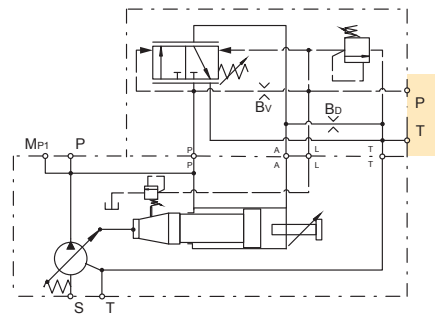
See Horse Power characteristic curves on page 30

Horse Power/Torque Control with NG6 Interface

Control option *L1

With code *L1 the horse power control has a valve interface size NG 6 DIN 24340 (CETOP 03 acc. RP35H, NFPA D03) on the top side.

This interface allows the mounting of accessories like multiple pressure selectors without the need of external piping and valve mounting.

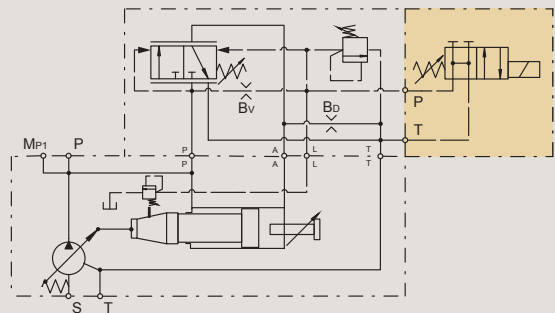


Horse Power/Torque Control with Electrical Unloading

Control option *LW

With code *LW a solenoid operated directional control valve (D1VW002KNJW) for electrical unloading is mounted on the control top side.

When the solenoid is de-energised, the pump compensates at a stand-by pressure of typically 15 bar. When the solenoid is energised, the pump compensates at the pressure adjusted on the integrated pilot valve.

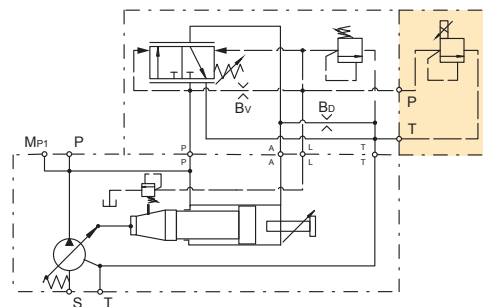


Horse Power/Torque Control with Proportional Pilot Valve

Control option *LK

With code *LK a proportional pilot valve of type PVACRE...K35 (see page 43) is mounted on the top side interface.

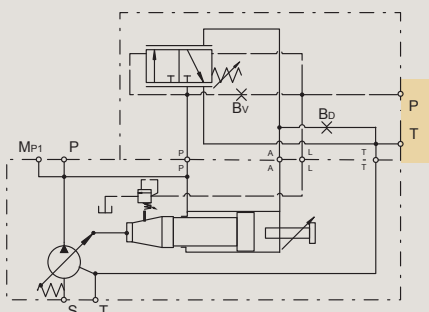
This allows a variation of the pump compensating pressure between 20 and 350 bar by an electrical signal.



Horse Power/Torque Control without Integrated Pressure Pilot Valve

Control option *LZ

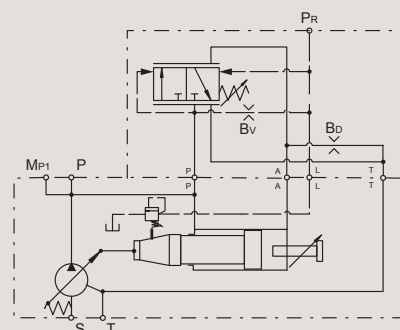
Control *LZ has no integrated pilot valve but a NG6 DIN 24340 interface topside.



This version is recommended for valve accessories.

Control option *LB

Control *LB has no integrated pilot valve.



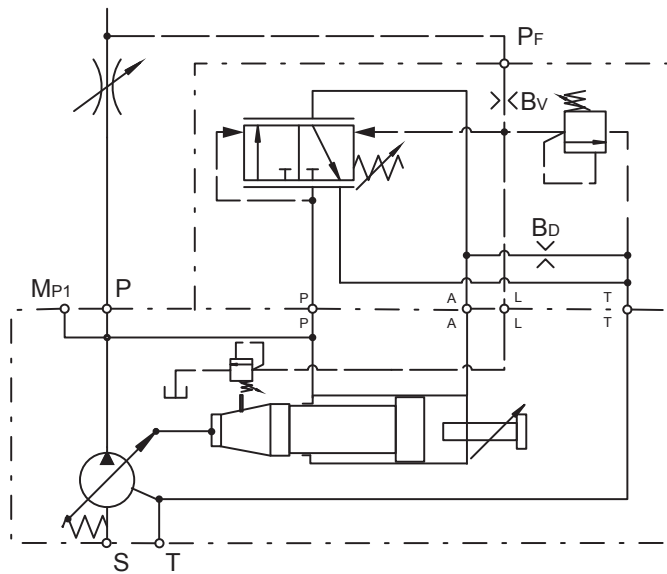
Horse Power/Torque Controls with Load Sensing

Control option *CC

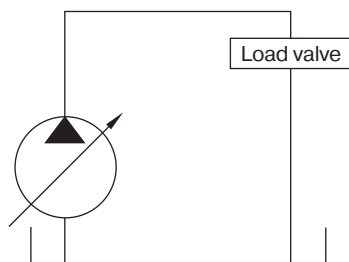
The horse power control type *C* provides the benefit of the load sensing control, plus the ability to limit the input power the pump will draw. These controls are beneficial when the power available from the prime mover for the

hydraulics is limited or the application power demand has both high flow/low pressure and low flow/high pressure duty cycles.

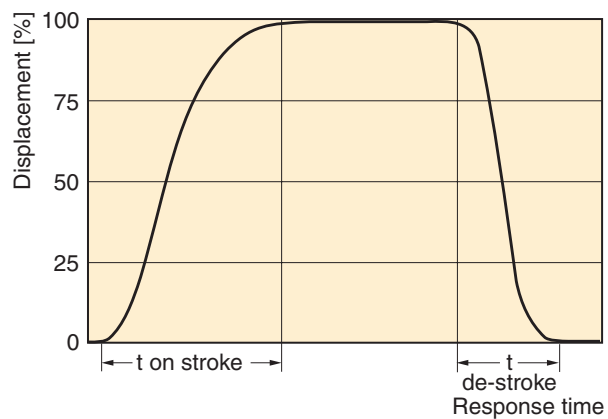
Control schematics



Response times of the pump are collected from a circuit as below by measuring the pumps swash angle movement at different pressures.



Dynamic characteristic of flow control *



* Curve shown exaggerated

| | Time on-stroke [ms] | | Time de-stroke [ms] | |
|-------|---------------------|---------------------|---------------------|---------------------|
| | stand-by to 50 bar | stand-by to 350 bar | 50 bar to stand-by | 350 bar to stand-by |
| PV360 | 90 | 90 | 100 | 100 |

| | |
|--|------------------|
| Pressure adjustment range | 15 to 350 bar |
| Factory setting pressure | 350 bar |
| Differential pressure adjustment range | 10 to 40 bar |
| Factory setting differential pressure | 15 bar |
| Control oil consumption | Max 8.0 l/min |
| Typical pilot flow | approx 1.5 l/min |

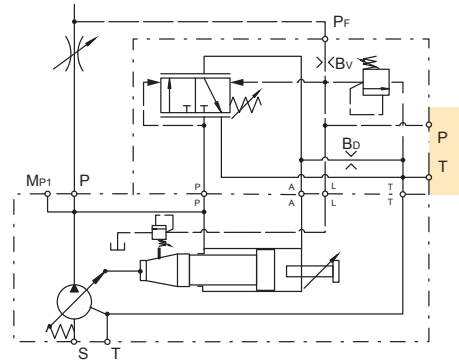
See Horse Power characteristic curves on page 30

Horse Power/Torque Control with Load Sensing & NG6 Interface

Control option *C1

With code *C1 the horse power control has a valve interface size NG 6 DIN 24340 (CETOP 03 acc. RP35H, NFPA D03) on the top side.

This interface allows the mounting of accessories like multiple pressure selectors without the need of external piping and valve mounting.

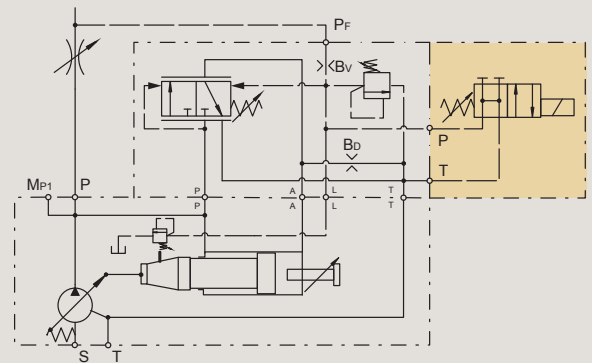


Horse Power/Torque Control with Load Sensing & Electrical Unloading

Control option *CW

With code *CW a solenoid operated directional control valve (D1VW002KNJW) for electrical unloading is mounted on the control top side.

When the solenoid is de-energised, the pump compensates at a stand-by pressure of typically 15 bar. When the solenoid is energised, the pump compensates at the pressure adjusted on the integrated pilot valve.

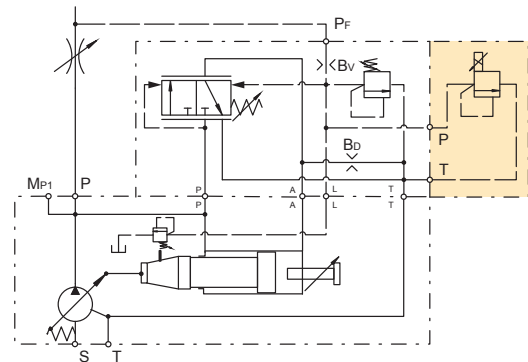


Horse Power/Torque Control with Load Sensing & Proportional Valve

Control option *CK

With code *CK a proportional pilot valve of type PVACRE...K35 (see page 43) is mounted on the top side interface.

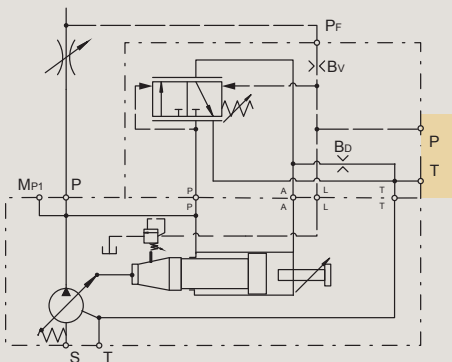
This allows a variation of the pump compensating pressure between 20 and 350 bar by an electrical signal.



Horse Power/Torque Control with Load Sensing without Integrated Pilot Valve

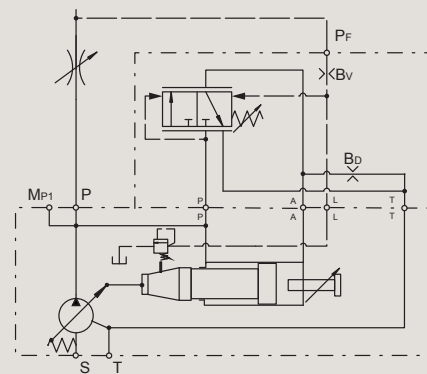
Control option *CZ

Control *CZ has no integrated pilot valve but NG6 DIN 24340 interface topside.

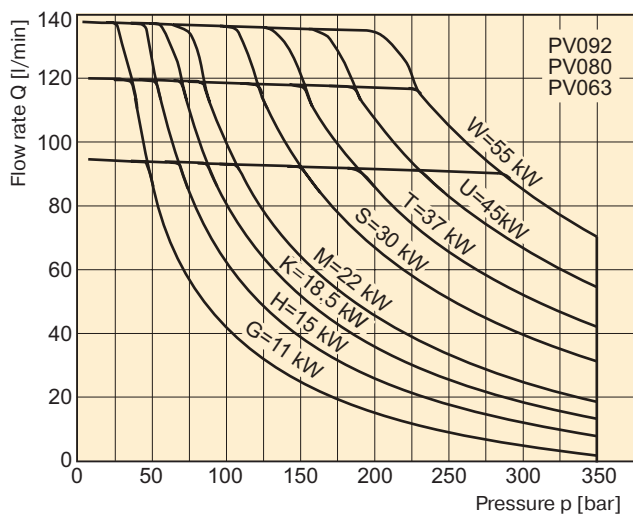
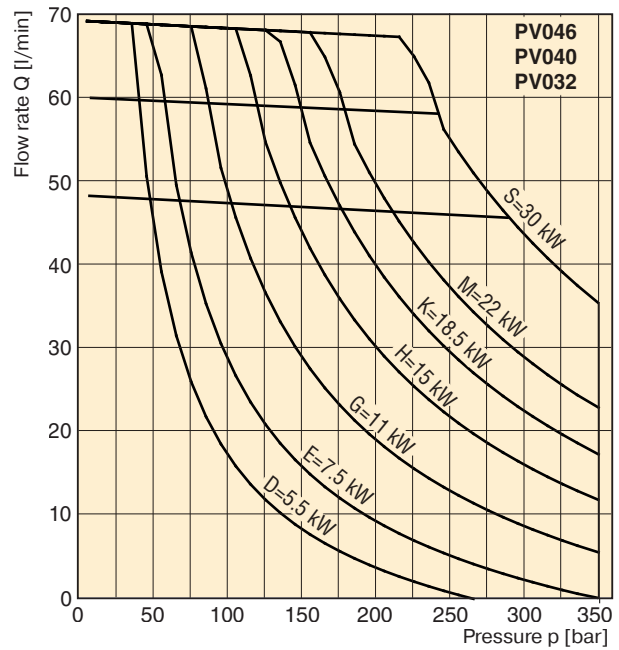
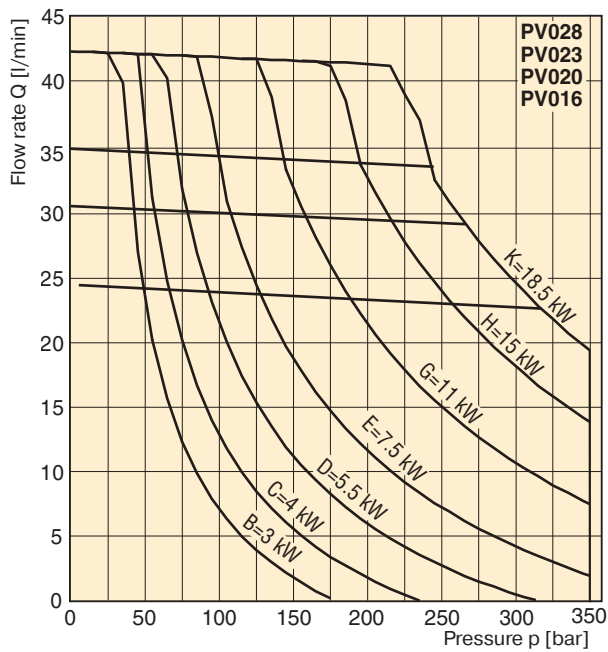


Control option *CB

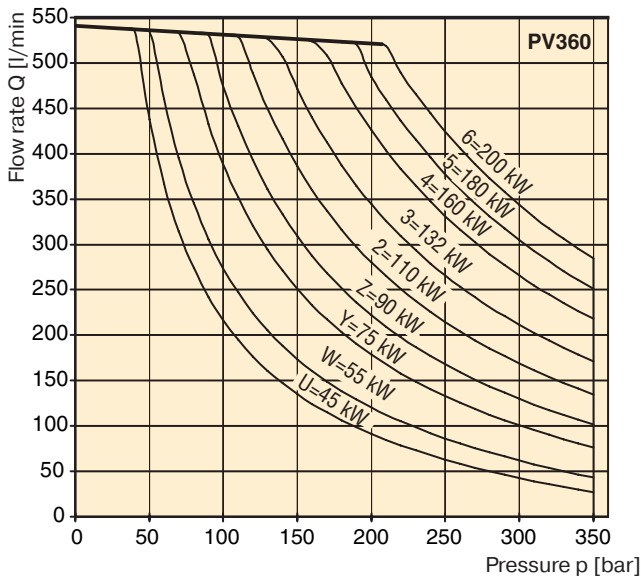
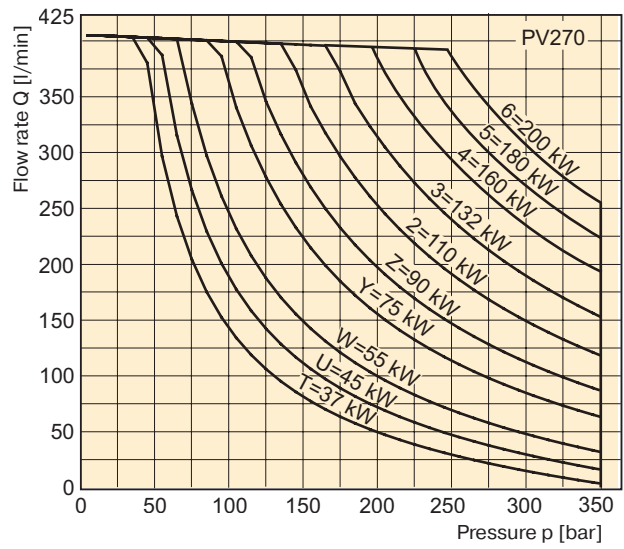
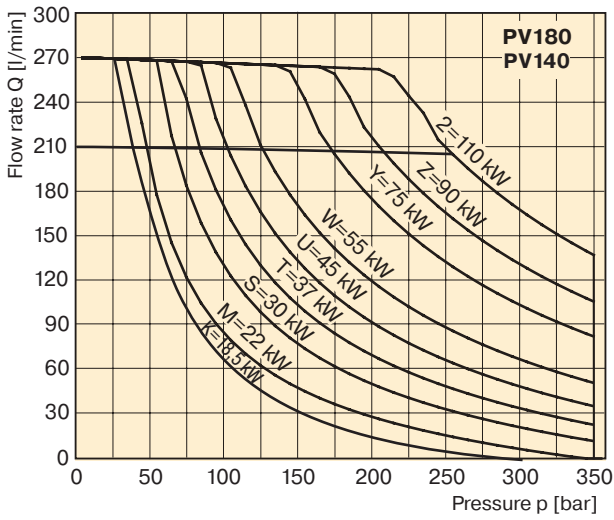
Control *CB has no integrated pilot valve.



Typical Horse Power/Torque Control Characteristics



Typical Horse Power/Torque Control Characteristics



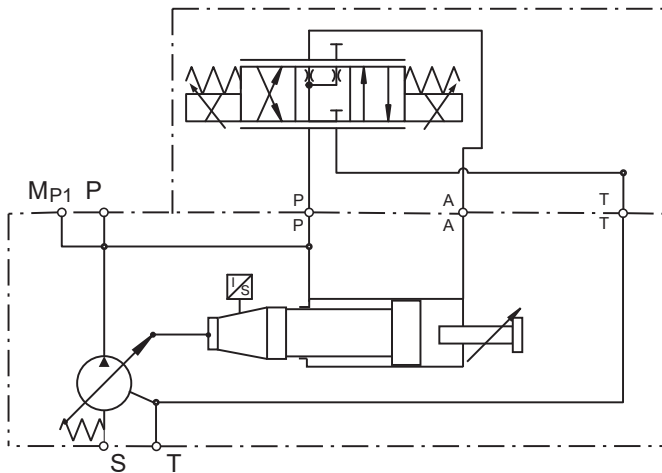
Speed : n = 1500 rev/min
 Temperature : t = 50 °C
 Fluid : HLP, ISO VG46
 Viscosity : $\nu = 46 \text{ mm}^2/\text{s}$ at 40 °C
 Pressure : Maximum 350 bar, depending on HP level

Proportional Displacement Control

Control option FDV

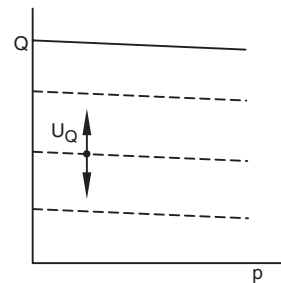
The proportional displacement control allows the adjustment of the pump's output flow by an electrical input signal. The actual displacement of the pump is monitored by an electronic displacement sensor and compared with the commanded displacement in an electronic control module PQDXXA-Z10. The command is given as an electrical input signal (0 – 10 V alternatively 4 – 20 mA) from the supervising machine control or a potentiometer.

Control schematics



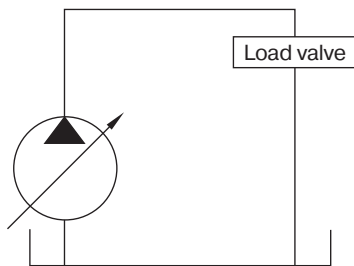
Version FDV of the proportional control does not provide pressure compensation. Therefore the hydraulic circuit must be protected by a pressure relief valve.

New CIP-Sensor
 (contactless inductive position) eliminates drift due to wear and any manual sensor adjustments.

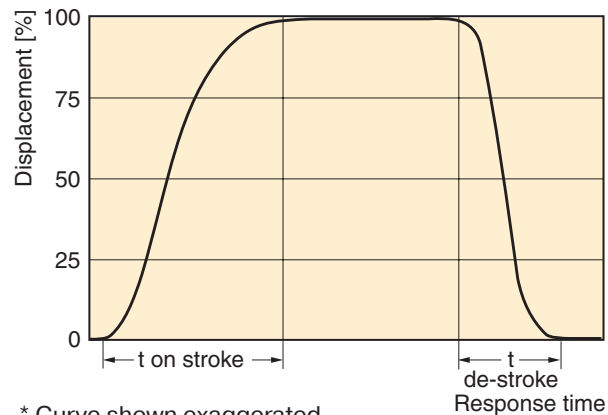


[---] = FDV included

Response times of the pump are collected from a circuit as below by measuring the pumps swash angle movement at different pressures.



Dynamic characteristic of flow control *



* Curve shown exaggerated

| | Time on-stroke [ms] | | Time de-stroke [ms] | |
|-------|---------------------|---------------------|---------------------|---------------------|
| | stand-by to 50 bar | stand-by to 350 bar | 50 bar to stand-by | 350 bar to stand-by |
| PV360 | 255 | 154 | 266 | 183 |

| | |
|--|---------------|
| Pressure adjustment range* | 35 to 350 bar |
| Differential pressure adjustment range * | 10 to 40 bar |
| Factory setting differential pressure * | 15 bar |
| Control oil consumption (FDV only) | Max 0.3 l/min |

| Internal pilot pressure required to control the pump | |
|--|--------|
| FDV | 15 bar |
| UDR | 25 bar |
| UDK | 25 bar |
| UDM | 25 bar |

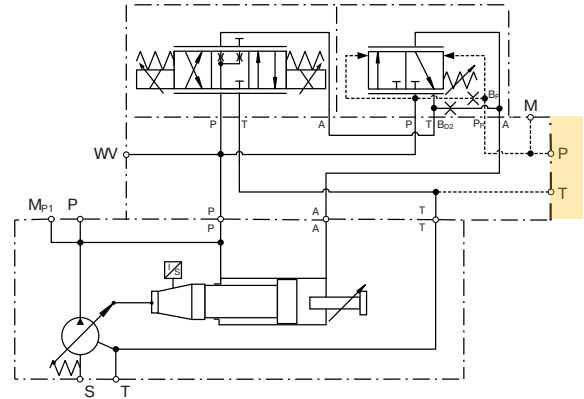
* Data valid for UD* version

Proportional Displacement Control with Overriding Pressure Control

Control option UDR without pressure relief pilot valve

Control version UDR provides electro-hydraulic displacement control and pressure stage mounted on an elbow manifold.

The elbow manifold provides NG6/D03 interface on top to mount a pressure pilot valve (not included in UDR).

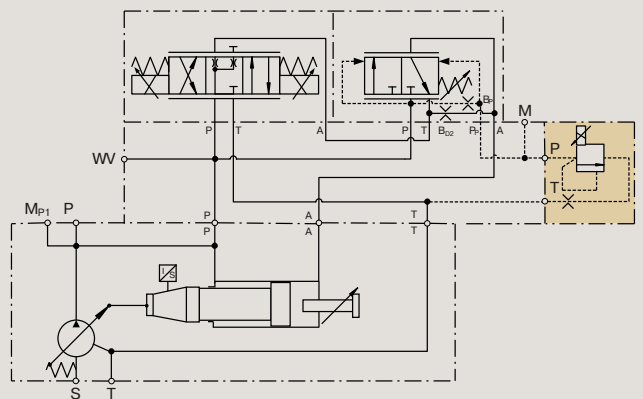


Proportional Displacement Control with Proportional Pressure Control

Control option UDK

Control version UDK features proportional pressure pilot valve PVACRE...K35, which enables for electro-hydraulic p/Q control.

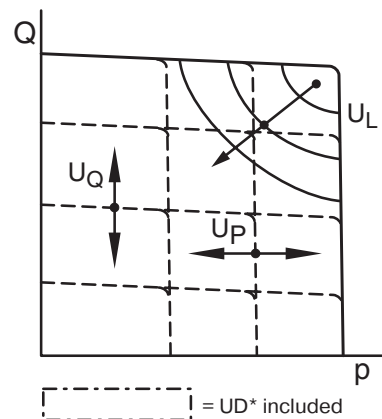
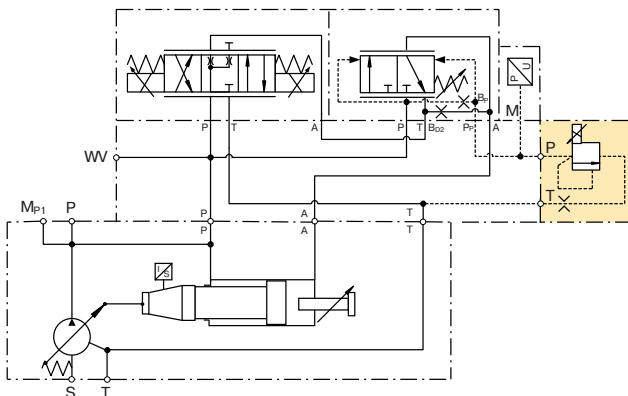
By using the digital module PQDXXA-Z10 it is possible to control the displacement proportionally with overriding open loop proportional pressure control.



Proportional Displacement Control with Closed Loop Pressure Control

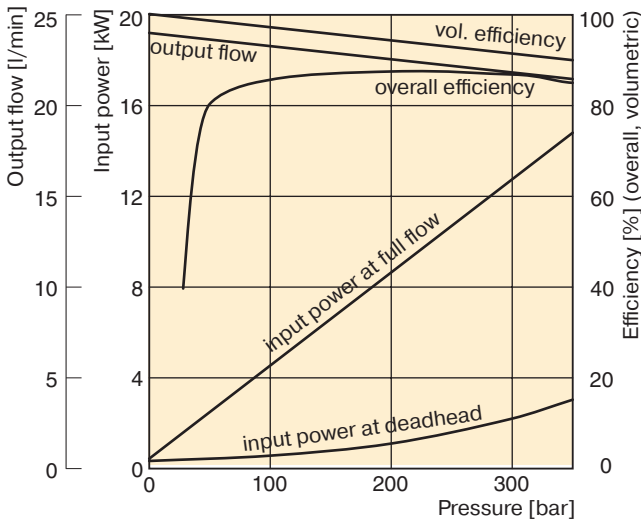
Control option UDM

Control version UDM includes pressure transducer Parker SCP 8181 CE. In combination with control module PQDXXA-Z10 both closed loop pressure control as well as electronic power limitation can be realized.

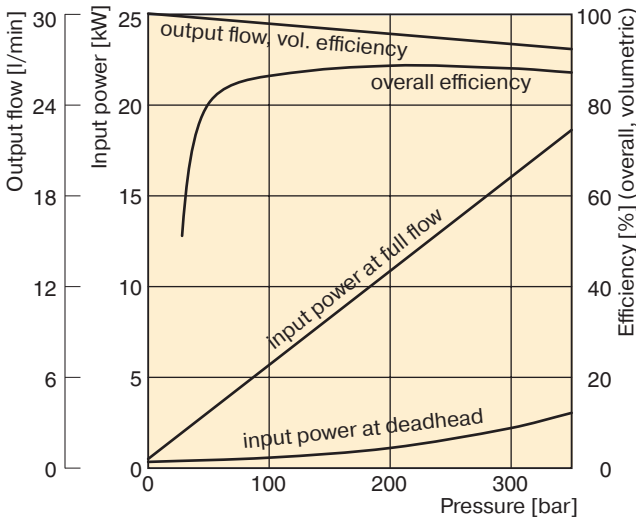


Efficiency, power consumption

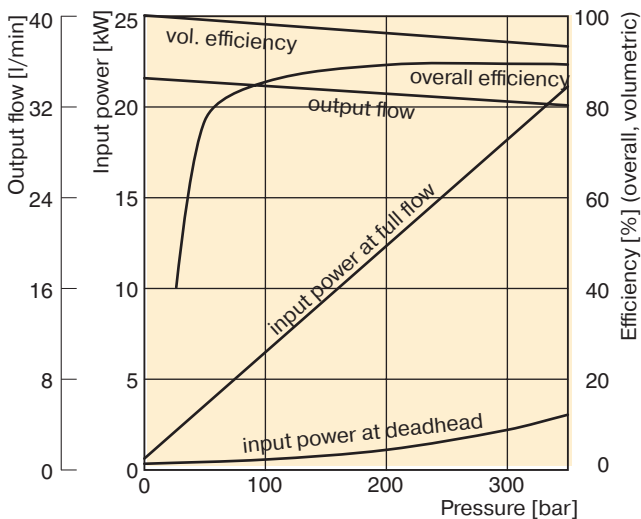
PV016



PV020



PV023



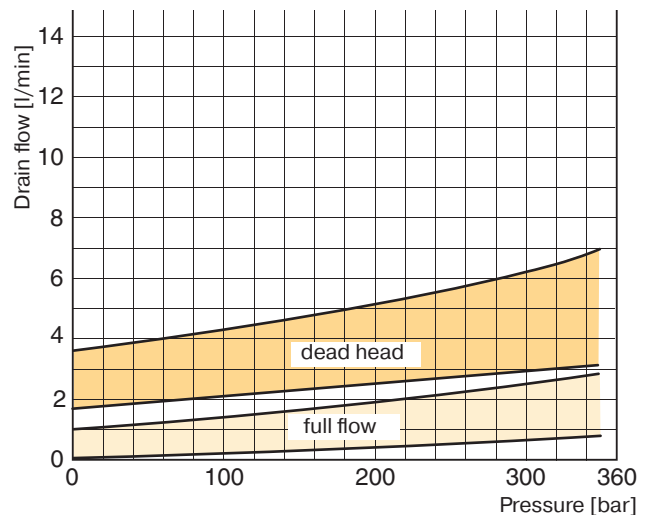
Efficiency and case drain flows PV016, PV020, PV023 and PV028

The efficiency and power graphs are measured at an input speed of $n = 1500$ rpm, a temperature of $50\text{ }^{\circ}\text{C}$ and a fluid viscosity of $30\text{ mm}^2/\text{s}$.

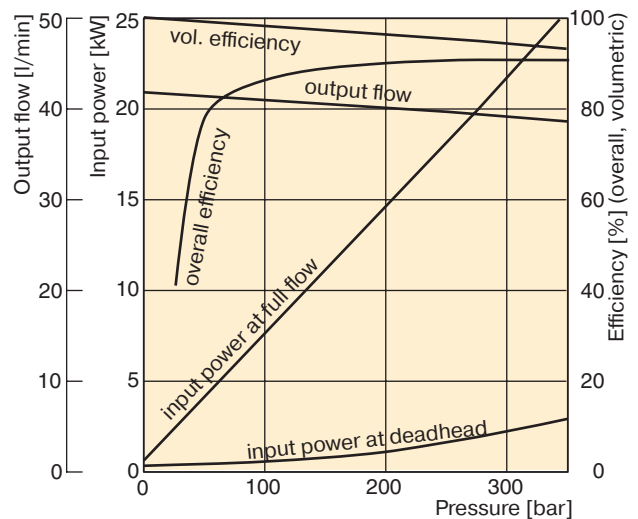
Case drain flow and compensator control flow leave via the drain port of the pump. To the values shown are to be added 1 to 1.2 l/min, if at pilot operated compensators the control flow of the pressure pilot valve also goes through the pump.

Please note: The values shown below are only valid for static operation. Under dynamic conditions and at rapid compensation of the pump the volume displaced by the servo piston also leaves the case drain port. This dynamic control flow can reach up to 40 l/min! Therefore the case drain line is to lead to the reservoir at full size and without restrictions as short and direct as possible.

Case drain flow PV016-028 with pressure compensator

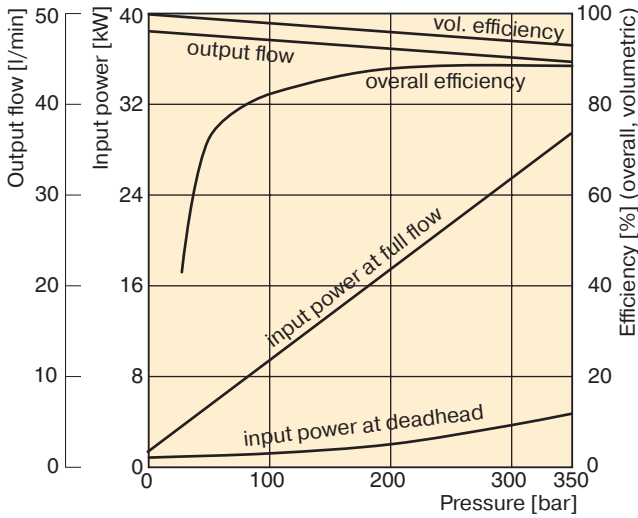


PV028

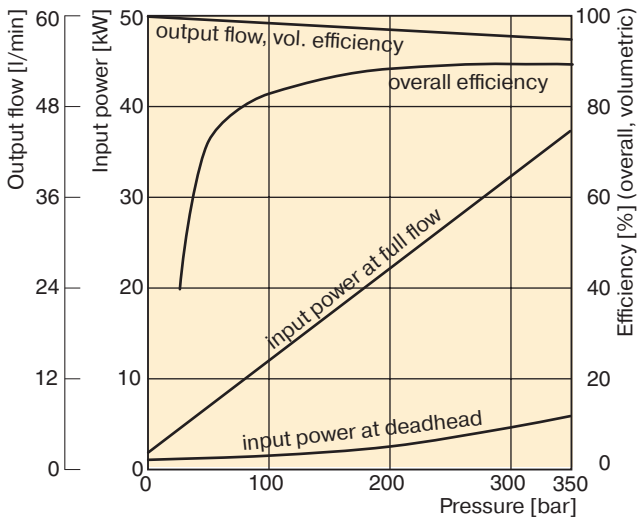


Efficiency, power consumption

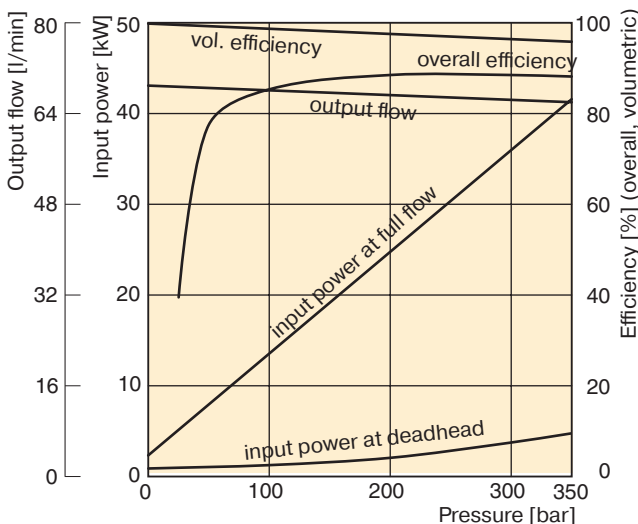
PV032



PV040



PV046



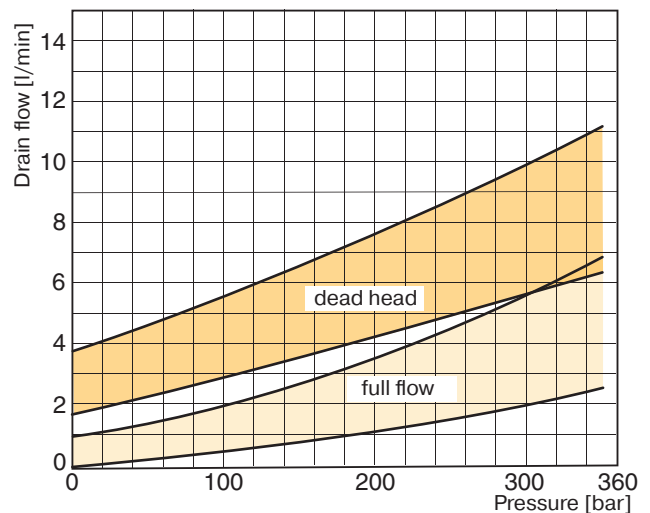
**Efficiency and case drain flows
 PV032 to PV046**

The efficiency and power graphs are measured at an input speed of $n = 1500$ rpm, a temperature of 50°C and a fluid viscosity of $30\text{ mm}^2/\text{s}$.

Case drain flow and compensator control flow leave via the drain port of the pump. To the values shown are to be added 1 to 1.2 l/min, if at pilot operated compensators the control flow of the pressure pilot valve also goes through the pump.

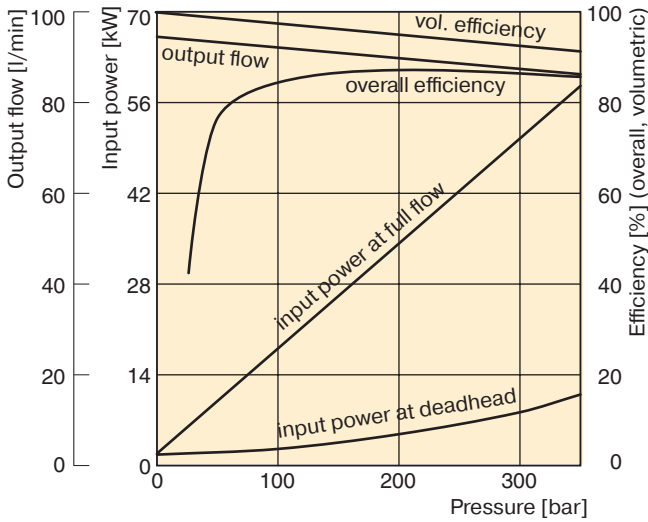
Please note: The values shown below are only valid for static operation. Under dynamic conditions and at rapid compensation of the pump the volume displaced by the servo piston also leaves the case drain port. This dynamic control flow can reach up to 60 l/min! Therefore the case drain line is to lead to the reservoir at full size and without restrictions as short and direct as possible.

Case drain flow PV032-046 with pressure compensator

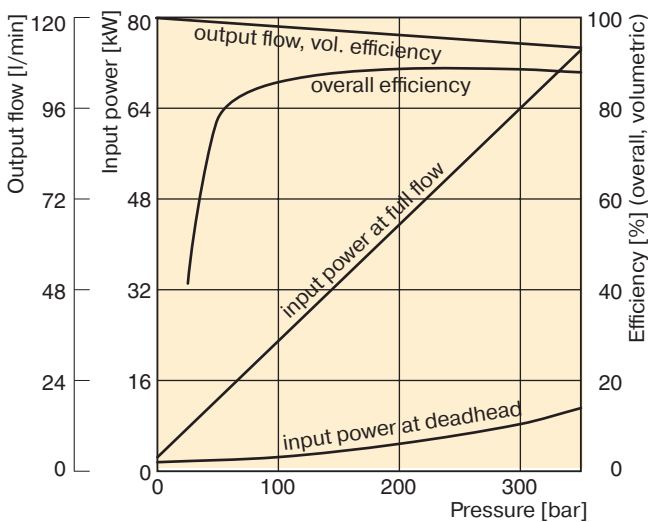


Efficiency, power consumption

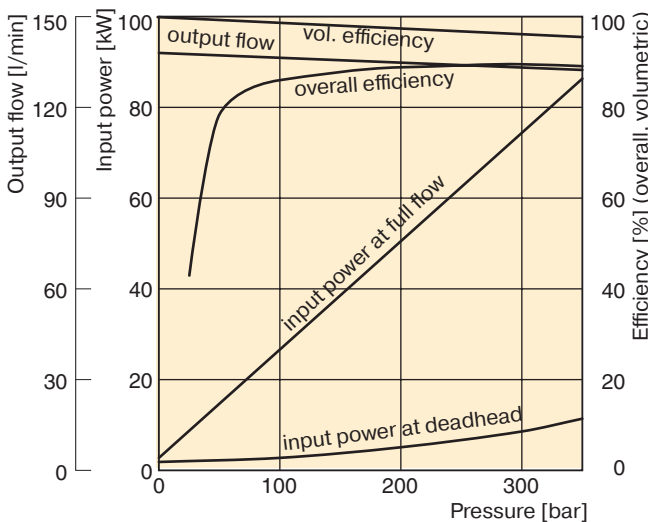
PV063



PV080



PV092



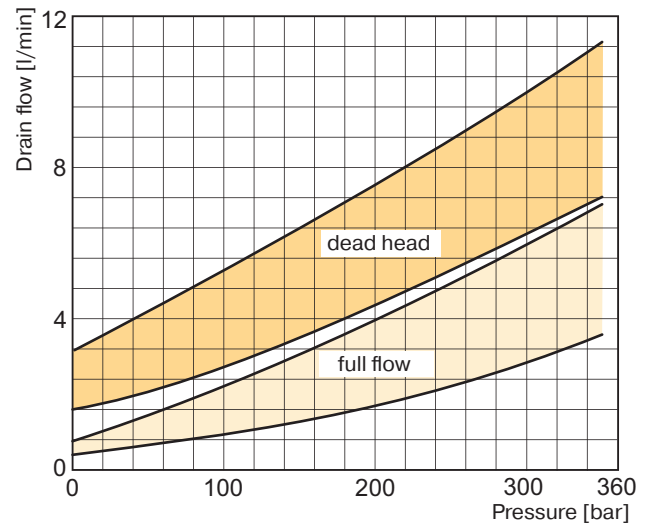
Efficiency and case drain flows PV063, PV080, PV092

The efficiency and power graphs are measured at an input speed of $n = 1500$ rpm, a temperature of $50\text{ }^\circ\text{C}$ and a fluid viscosity of $30\text{ mm}^2/\text{s}$.

Case drain flow and compensator control flow leave via the drain port of the pump. To the values shown are to be added 1 to 1.2 l/min, if at pilot operated compensators the control flow of the pressure pilot valve also goes through the pump.

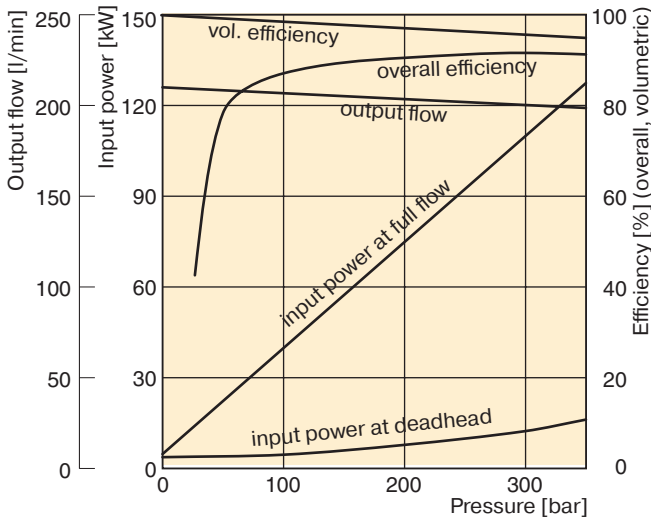
Please note: The values shown below are only valid for static operation. Under dynamic conditions and at rapid compensation of the pump the volume displaced by the servo piston also leaves the case drain port. This dynamic control flow can reach up to 80 l/min! Therefore the case drain line is to lead to the reservoir at full size and without restrictions as short and direct as possible.

Case drain flows PV063-092

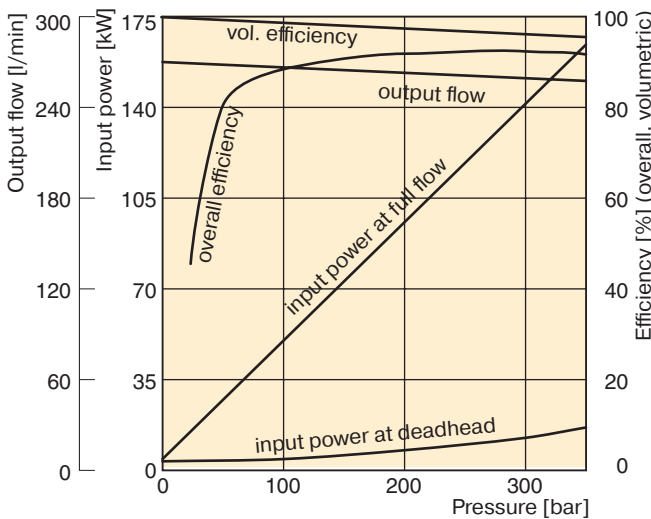


Efficiency, power consumption

PV140



PV180



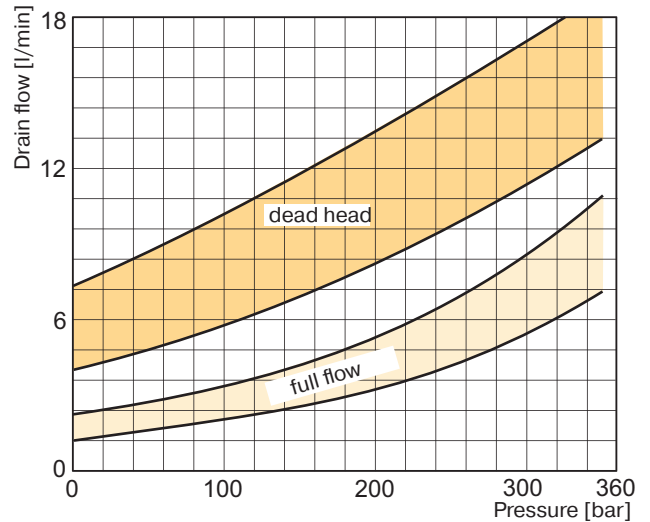
Efficiency and case drain flows PV140, PV180

The efficiency and power graphs are measured at an input speed of $n = 1500$ rpm, a temperature of $50\text{ }^{\circ}\text{C}$ and a fluid viscosity of $30\text{ mm}^2/\text{s}$.

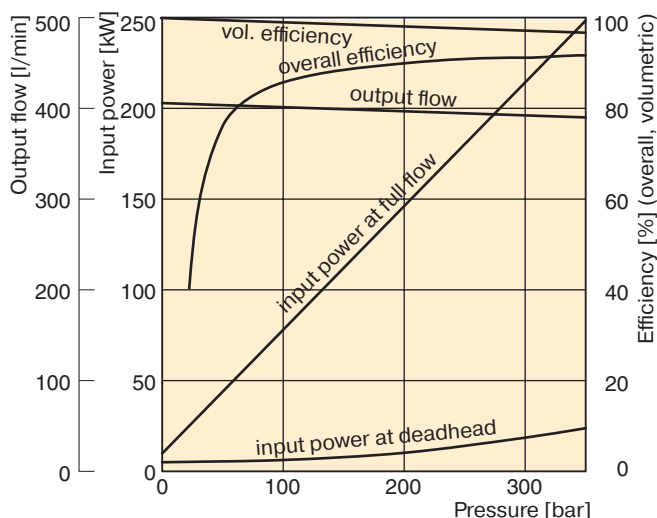
Case drain flow and compensator control flow leave via the drain port of the pump. To the values shown are to be added 1 to 1.2 l/min, if at pilot operated compensators the control flow of the pressure pilot valve also goes through the pump.

Please note: The values shown below are only valid for static operation. Under dynamic conditions and at rapid compensation of the pump the volume displaced by the servo piston also leaves the case drain port. This dynamic control flow can reach up to 120 l/min! Therefore the case drain line is to lead to the reservoir at full size and without restrictions as short and direct as possible.

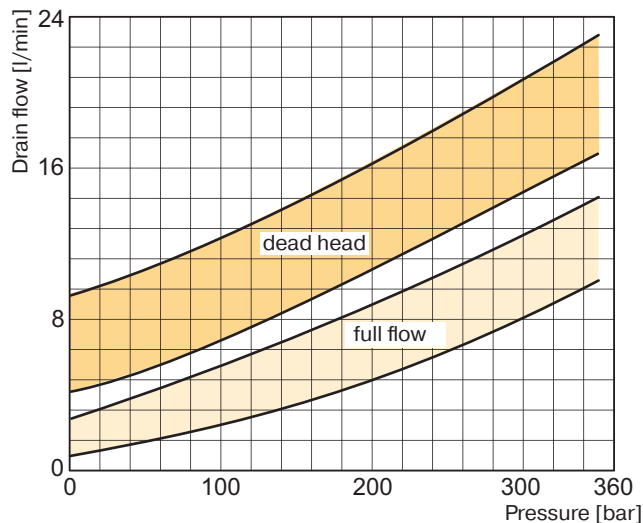
Case drain flows PV140-180



**Efficiency, power consumption
 PV270**



Case drain flows PV270



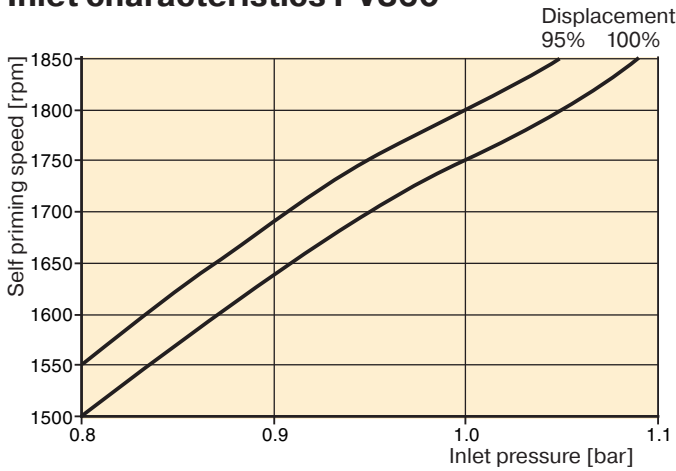
Efficiency and case drain flows PV270

The efficiency and power graphs are measured at an input speed of $n = 1500$ rpm, a temperature of $50\text{ }^{\circ}\text{C}$ and a fluid viscosity of $30\text{ mm}^2/\text{s}$.

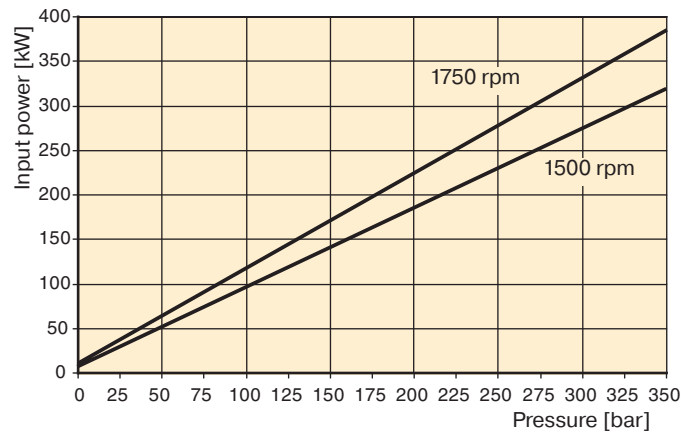
Case drain flow and compensator control flow leave via the drain port of the pump. To the values shown are to be added 1 to 1.2 l/min, if at pilot operated compensators the control flow of the pressure pilot valve also goes through the pump.

Please note: The values shown below are only valid for static operation. Under dynamic conditions and at rapid compensation of the pump the volume displaced by the servo piston also leaves the case drain port. This dynamic control flow can reach up to 120 l/min! Therefore the case drain line is to lead to the reservoir at full size and without restrictions as short and direct as possible.

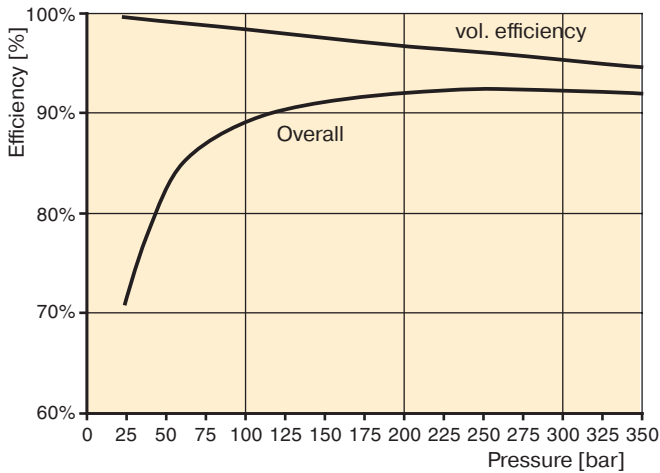
Typical inlet characteristics vs. speed at various percentage displacements
Inlet characteristics PV360



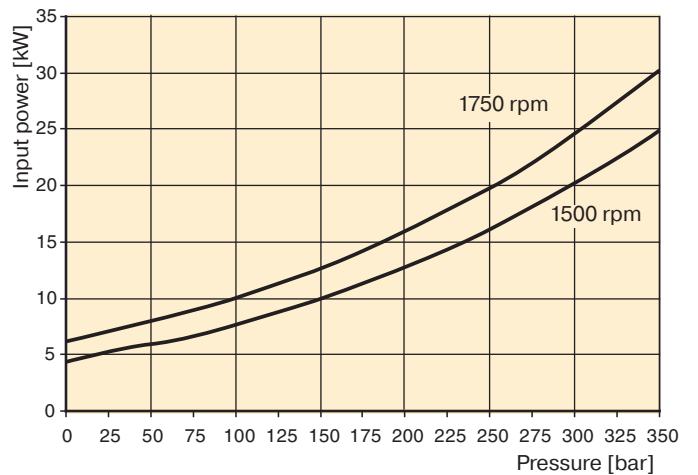
Typical drive power at full displacement
Input power – full stroke PV360



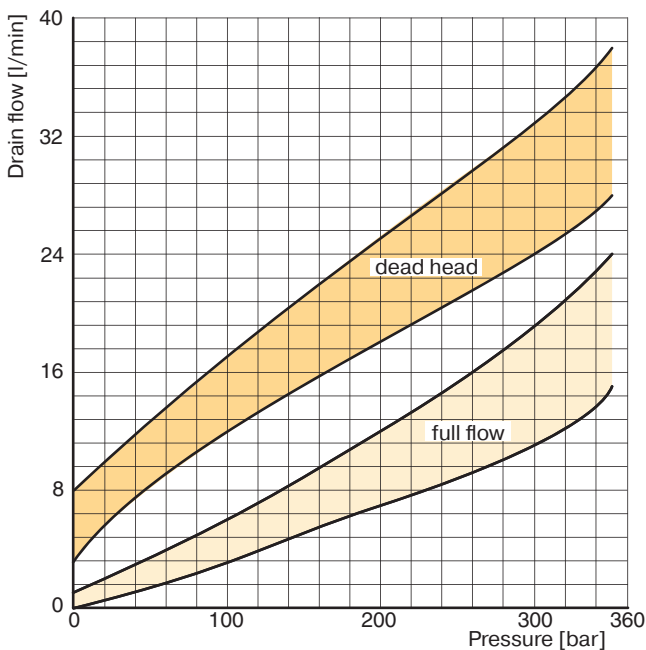
Typical efficiency at full displacement and 1500 rpm PV360



Typical compensated power
Input power – zero stroke PV360



Case drain flows PV360



The curves show typical characteristics measured under following conditions:
 Fluid: Mineral oil ISO VG 22 at 32 °C
 Inlet pressure 1,0 bar (absolute), measured at inlet port.

| Code | Function |
|------|--|
| 1P | Max. pressure relief |
| 1E | 1 pressure, electrical unloading stand by default |
| 2P | 2 pressures, electrical selection |
| 2E | 2 pressures + stand by electrical selection low pressure default |
| 2M | 2 pressures + stand by electrical selection stand by default |

| Code | Threads |
|------|---------------|
| M | Metric |
| - | without bolts |

| Code | Seals |
|------|-------|
| N | NBR |
| V | FPM |

| Code | Mounting bolts |
|------|---------------------|
| C | For single controls |
| S | Without bolts |
| M | For code UD*/MT* |

| Code | Adjustment |
|------|-----------------------|
| S | Spindle with lock nut |

| Code | Nominal pressure |
|------|------------------|
| 35 | 350 bar |
| 42 | 420 bar |

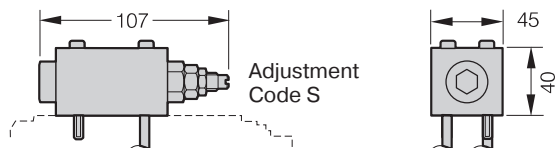
| Code | Solenoid accessories |
|------|------------------------------|
| omit | For function 1P |
| W | DIN plug socket without plug |

| Code | Solenoid voltage |
|------|-----------------------|
| omit | For function 1P |
| Y | 110V/50Hz – 120V/60Hz |
| T | 220V/50Hz – 240V/60Hz |
| J | 24V DC |

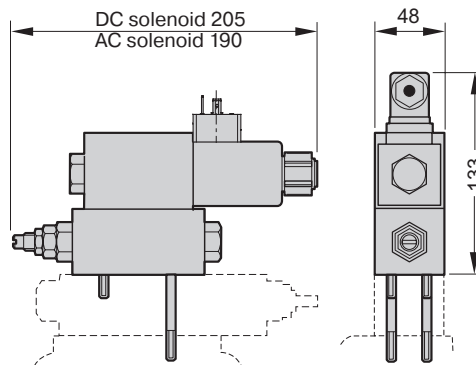
Warning: Risk of damaging bolt holes! Prior design series will need UNC bolts for pumps with threadcode "3".

Dimensions

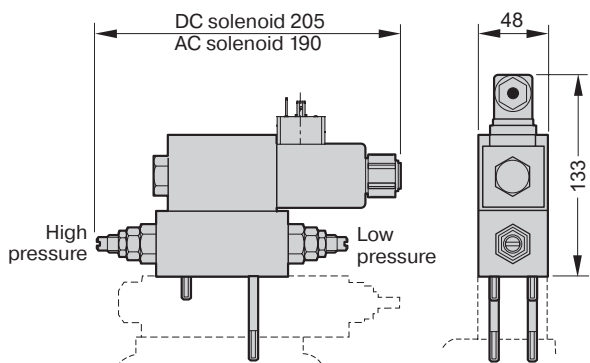
PVAC1P*



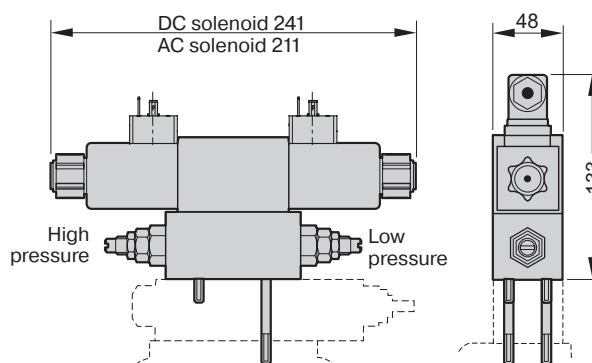
PVAC1E*



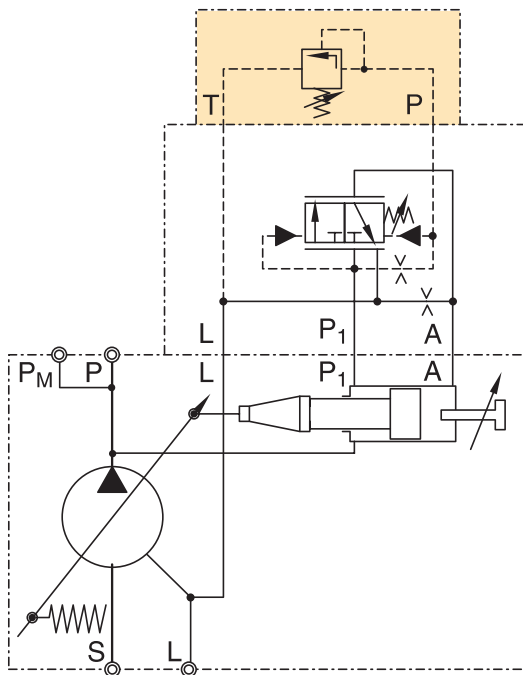
PVAC2P*



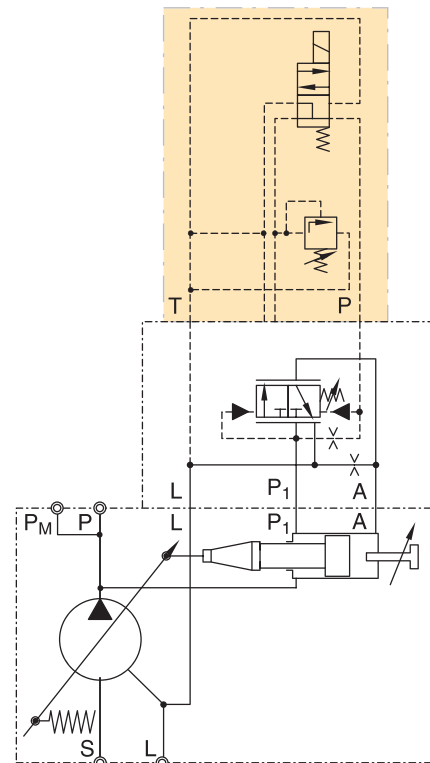
PVAC2M*/PVAC2E*



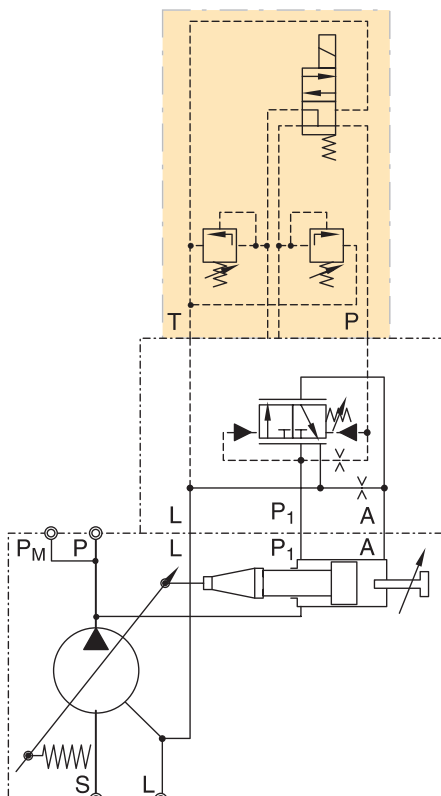
Schematics PVAC1P*



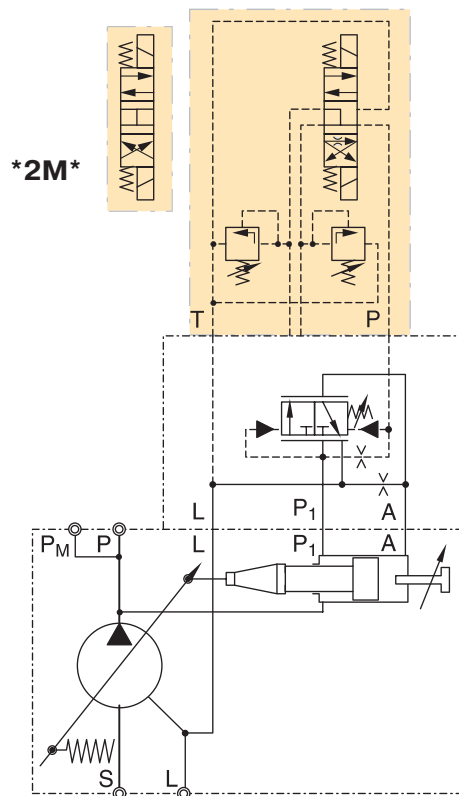
Schematics PVAC1E*



Schematics PVAC2P*



Schematics PVAC2M*/PVAC2E*

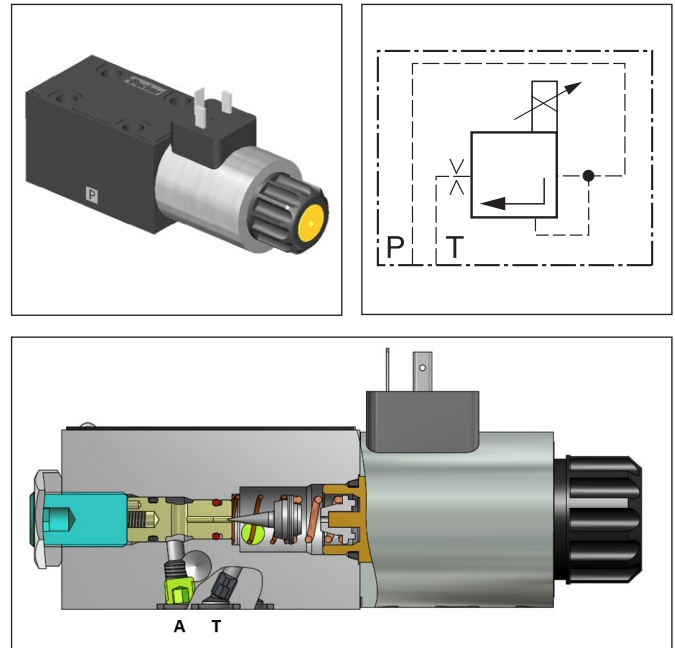


Proportional pressure relief valve PVACRE*

The pressure relief valve PVACRE* is a direct operated proportional valve, which is typically used for a remote pressure control.

Function

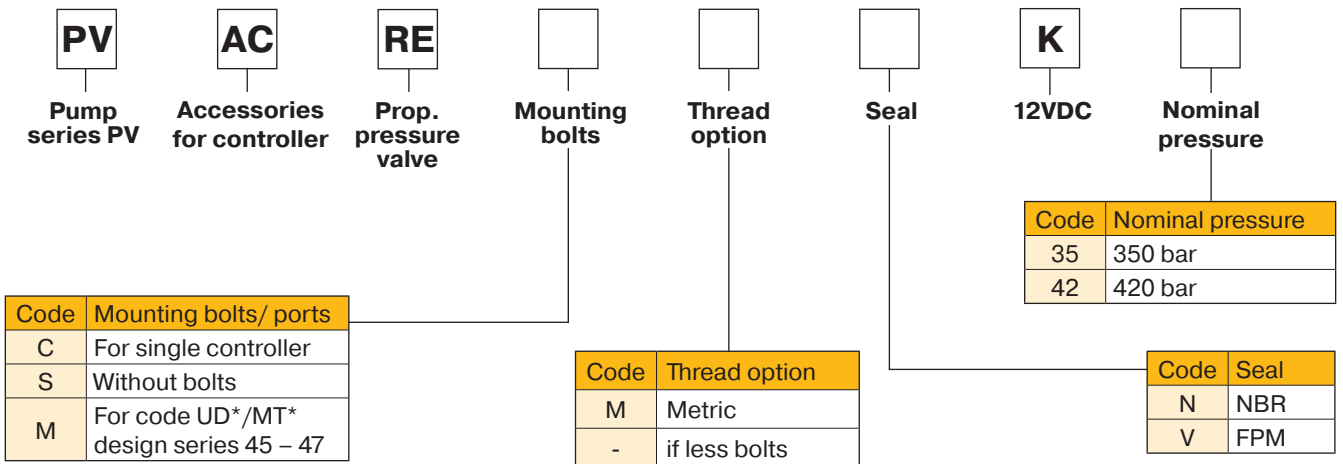
When the pressure in port P exceeds the pressure setting at the solenoid, the cone opens to port T and limits the pressure in port P to the adjusted level. The optimum performance can be achieved in combination with the digital amplifier module PCD00A-400.



Technical data

| General | | |
|----------------------------------|--|--|
| Nominal size | | DIN NG06 / CETOP03 / NFFPA D03 |
| Mounting position | | as desired, horizontal mounting preferred |
| Ambient temperature | [°C] | -20 ... +70 |
| Weight | [kg] | 1.8 |
| Hydraulic | | |
| Max. operating pressure | [bar] | Port P up to 420; port T depressurized |
| Pressure stages | [bar] | 350, 420 |
| Fluid | | Hydraulic oil as per DIN 51524 ... 525 |
| Viscosity, recommended permitted | [cSt]/ [mm ² /s] [cSt]/ [mm ² /s] | 30 ... 80 12 ... 380 |
| Fluid temperature | [°C] | -20 ... +60 |
| Filtration | | ISO 4406 (1999), 18/16/13 |
| Linearity | [%] | ±4 |
| Repeatability | [%] | ±2 |
| Hysteresis | [%] | ±4.5 of p _{max} |
| Electrical | | |
| Duty ratio | [%] | 100 ED |
| Protection class | | IP 65 in accordance with EN 60529 (plugged and mounted) |
| Nominal voltage | [V] | 12 (2.2 A for nominal pressure) |
| Coil resistance | [Ohm] | 4.4 at 20°C |
| Solenoid connection | | Connector as per EN 175301-803 |
| Power amplifier, recommended | | PCD00A-400 (open loop – NO sensor), PWDXXA-400 (closed loop – with pressure sensor) |
| Recommended dither frequency | [Hz] | 60 |
| Recommended dither amplitude | [%] | 4 |

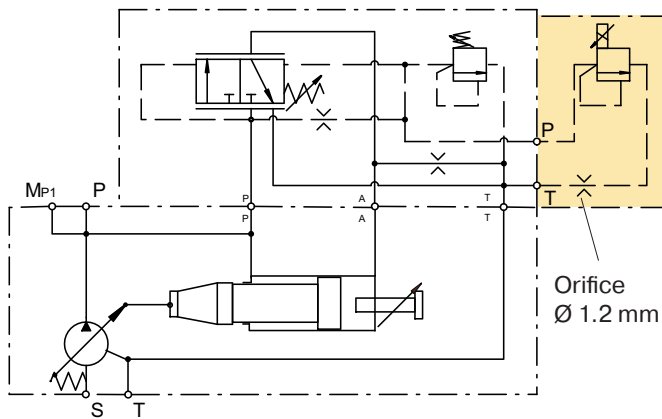
Ordering code proportional pressure relief valve



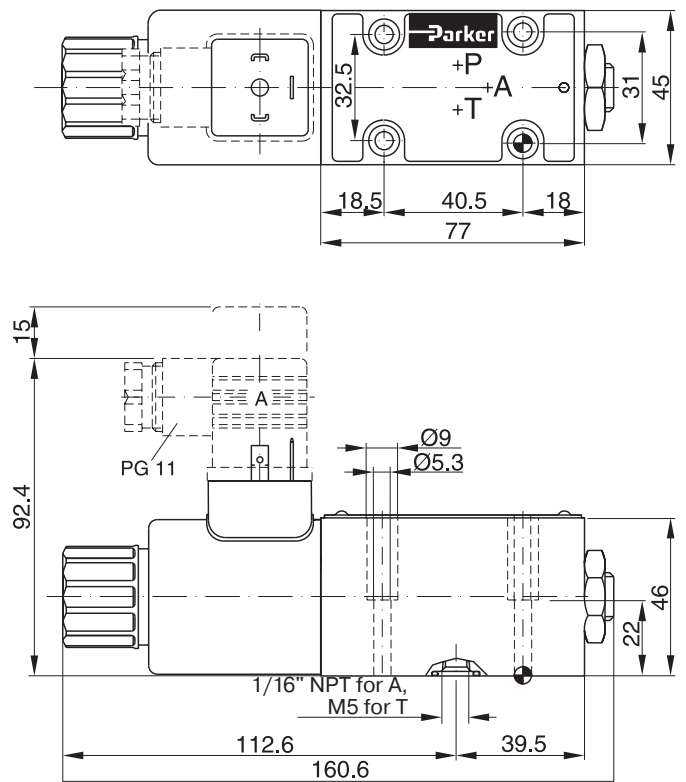
Warning:
 Risk of damaging bolt holes! Prior design series will need UNC bolts for pumps with threadcode "3".

Schematic PVACRE*

Example for PVACRE* mounted



Dimensions PVACRE*



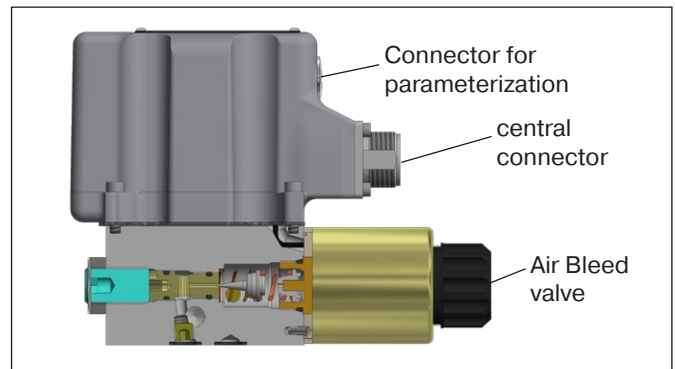
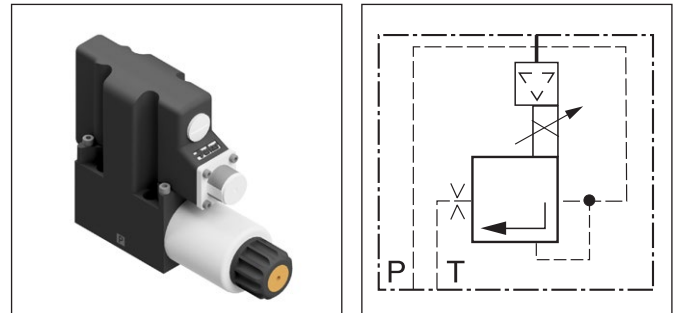
Proportional pressure relief valve with OBE PVACRE*T

The direct operated proportional pressure valves of the RE06M*T series with integrated electronics are based on the functionality of the PVACRE series. The digital onboard electronics are securely housed in a robust metal box and can also be used under harsh ambient conditions. The set valve parameters have been specially tuned to the PVplus pump series.

Valve parameters can be adjusted and diagnostic valves displayed by using the ProPxD software and the optionally available parameterization cable.

Function

When the pressure in port P exceeds the pressure setting at the solenoid, the cone opens to port T and limits the pressure in port P to the adjusted level.



Technical data

| General | | |
|----------------------------------|-----------------------------|---|
| Nominal size | | DIN NG06 / CETOP03 / NFFPA D03 |
| Mounting position | | as desired, horizontal mounting preferred |
| Ambient temperature | [°C] | -20 ... +70 |
| Weight | [kg] | 2.2 |
| Hydraulic | | |
| Max. operating pressure | [bar] | Port P up to 420; port T depressurized |
| Pressure stages | [bar] | 350, 420 |
| Fluid | | Hydraulic oil as per DIN 51524 ... 525 |
| Viscosity, recommended permitted | [cSt]/ [mm ² /s] | 30 ... 80 |
| | [cSt]/ [mm ² /s] | 12 ... 380 |
| Fluid temperature | [°C] | -20 ... +60 |
| Filtration | | ISO 4406 (1999), 18/16/13 |
| Linearity | [%] | ±4 |
| Repeatability | [%] | ±2 |
| Hysteresis | [%] | ±4.5 of p _{max} |
| Electrical | | |
| Duty ratio | [%] | 100 ED |
| Protection class | | IP 65 in accordance with EN 60529 (plugged and mounted) |
| Nominal voltage | [V] | 18 ... 30 (2 A for nominal pressure) |
| Coil resistance | [Ohm] | 4.4 at 20°C |
| Solenoid connection | | Connector as per EN 175301-803 |

Ordering code proportional pressure relief valve with OBE

| | | | | | | | | |
|-----------------------------|---|-----------------------------------|----------------|---------------|------|----------------|------------------|---------------------------------|
| PV Pump series PV | AC Accessories for controller | RE Prop. pressure valve | Mounting bolts | Thread option | Seal | Command Signal | Nominal pressure | T Onboard electronics |
|-----------------------------|---|-----------------------------------|----------------|---------------|------|----------------|------------------|---------------------------------|

| Code | Mounting bolts/ ports |
|------|--|
| C | For single controller |
| S | Without bolts |
| M | For code UD*/MT* design series 45 – 47 |

| Code | Thread option |
|------|---------------|
| M | Metric |
| - | if less bolts |

| Code | Seal |
|------|------|
| N | NBR |
| V | FPM |

| Code | Command signal |
|------|----------------|
| F | 0...10 V |
| R | 4...20 mA |

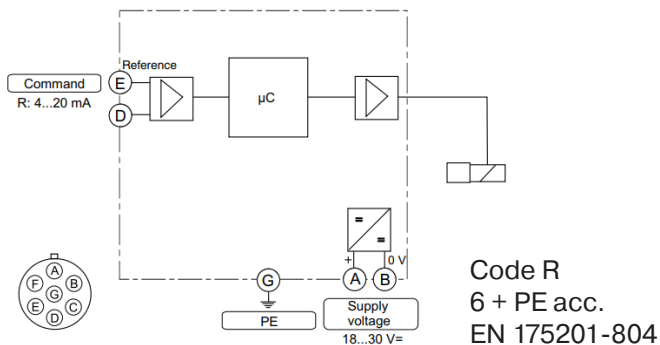
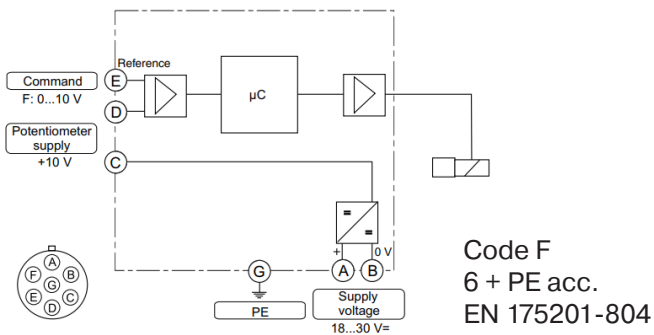
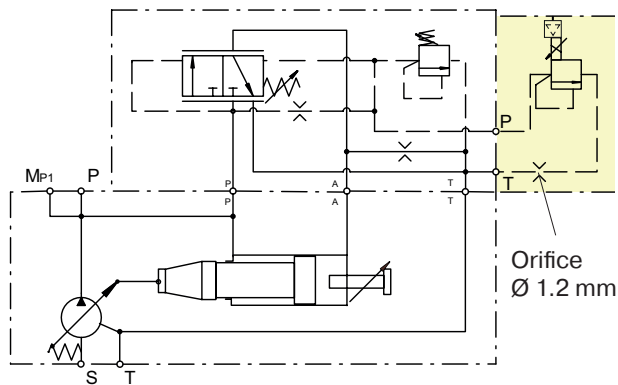
| Code | Nominal pressure |
|------|------------------|
| 35 | 350 bar |
| 42 | 420 bar |

Warning:

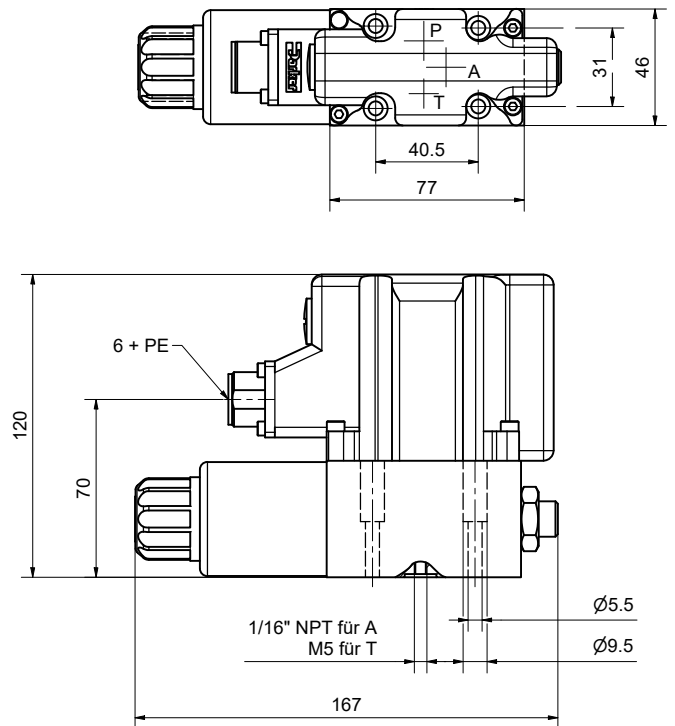
Risk of damaging bolt holes! Prior design series will need UNC bolts for pumps with threadcode "3".

Schematic PVACRE*T

Example for PVACRE* T mounted

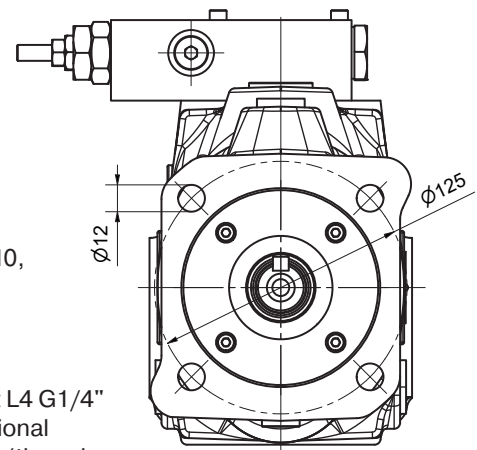
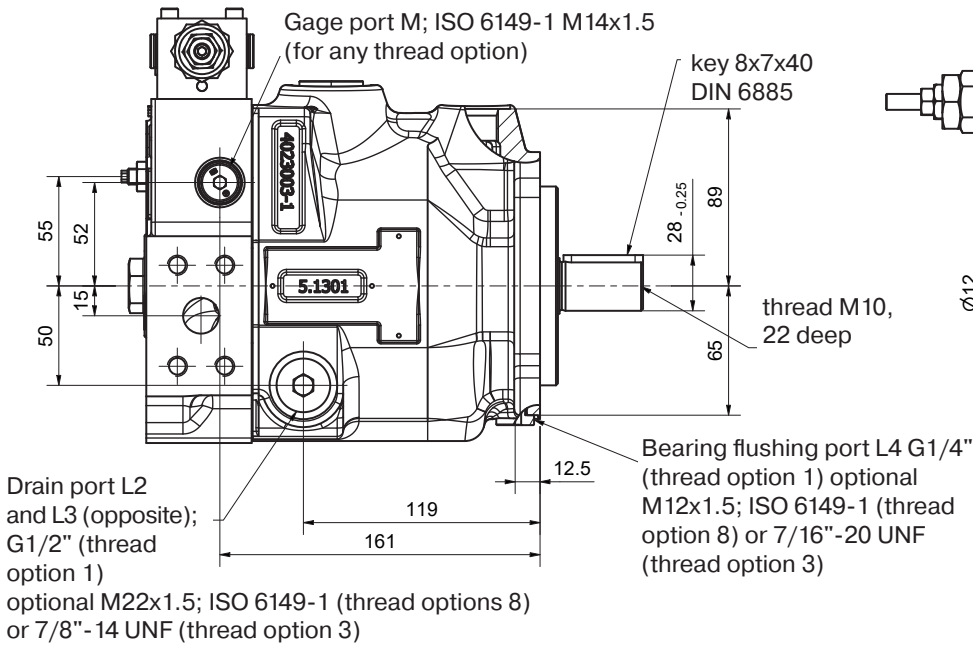
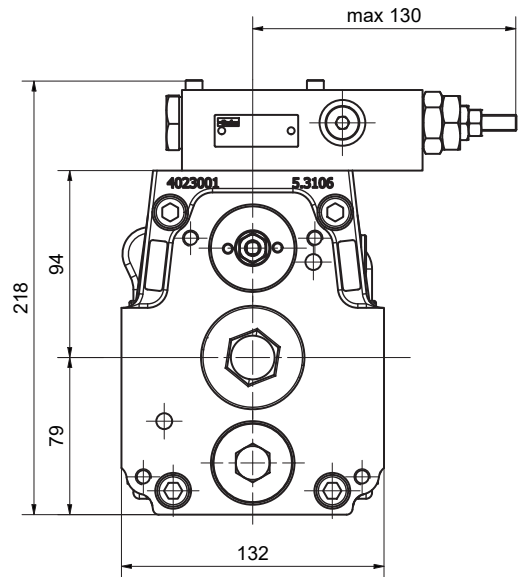
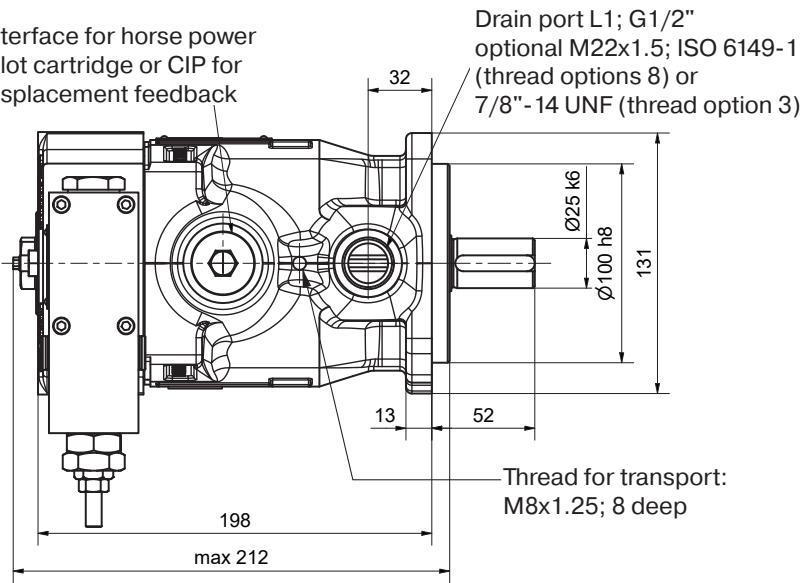


Dimensions PVACRE*T

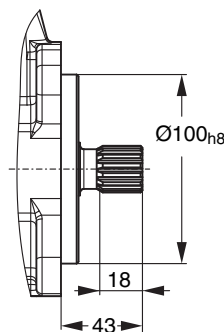
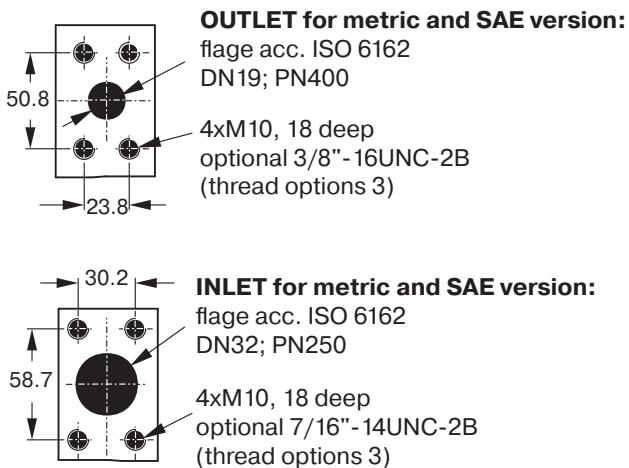


PV016-028, metric version

Interface for horse power pilot cartridge or CIP for displacement feedback



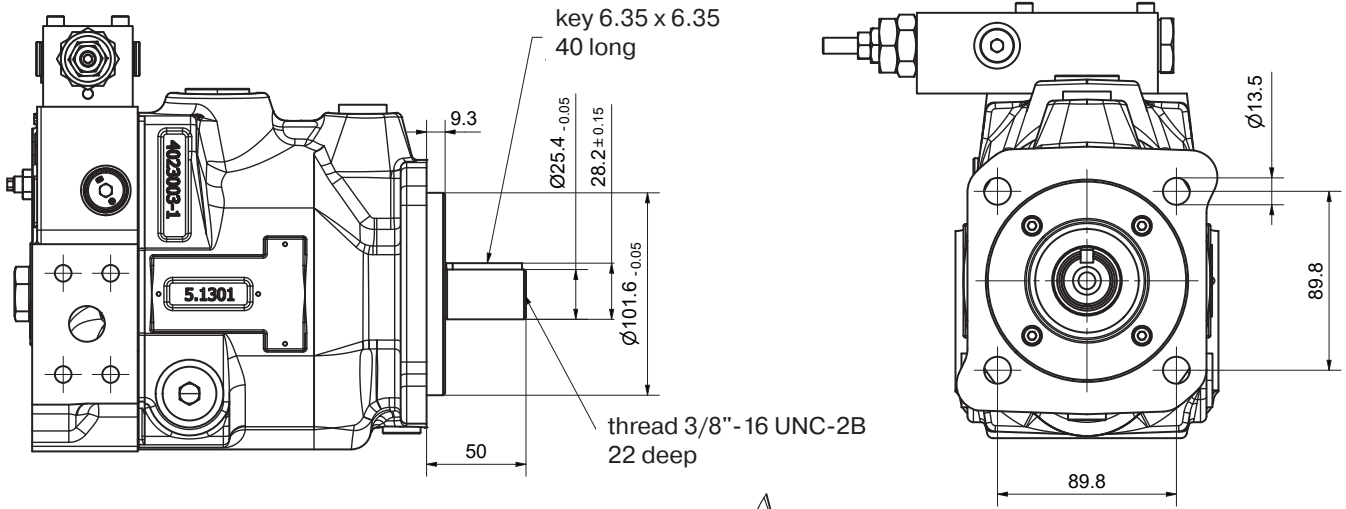
The pump shown above has **Mounting option K** and **through drive variation T** (prepared for through drive)



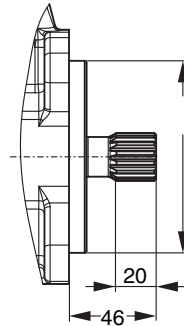
Mounting optional L
 splined shaft W25x1.5x15x8f
 DIN 5480

Shown is a clockwise rotating pump with standard pressure compensator. Counter clockwise rotating pumps have inlet, outlet and gage port reversed.

PV016-028, SAE version

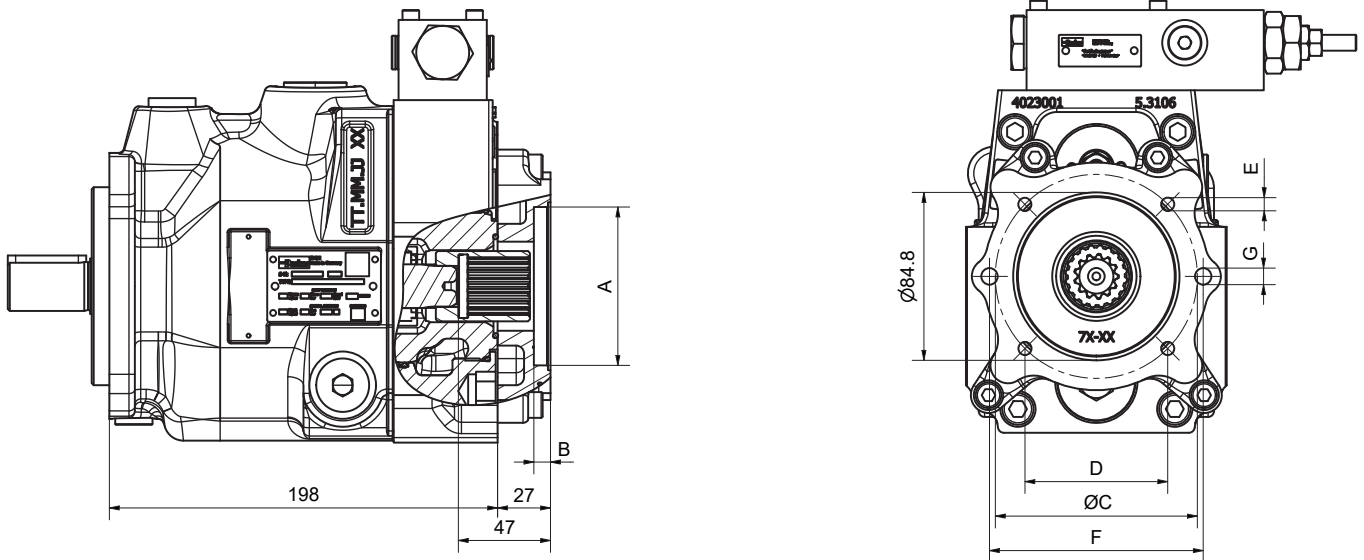


Shown above is
Mounting option D



Mounting option E
 Splined shaft 15T-16/32 DP,
 flat root, side fit ANSI B92.1

Variation with through drive



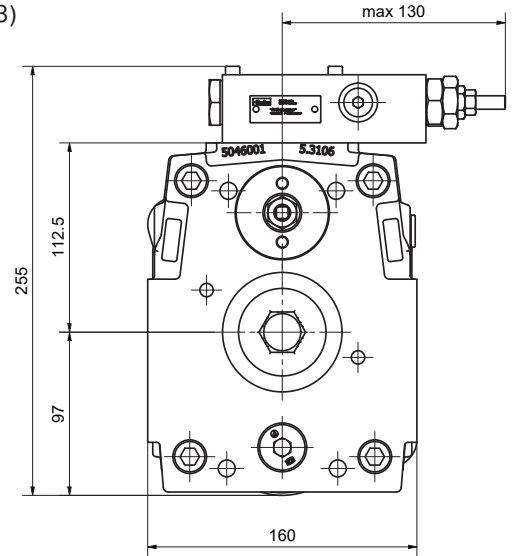
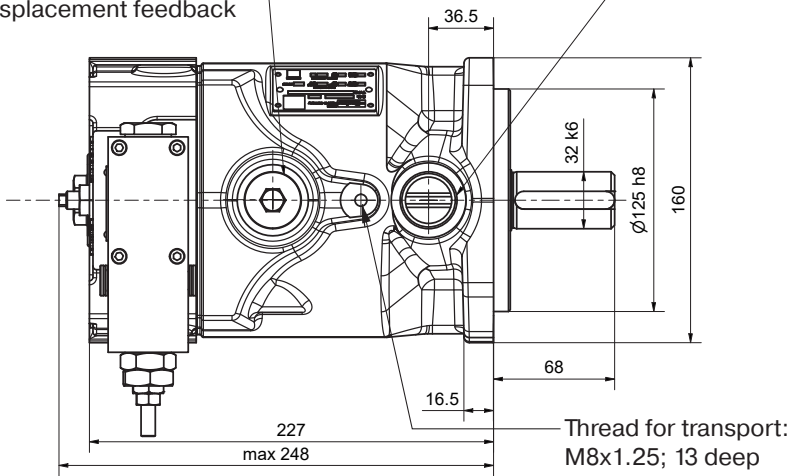
Through drive adaptors are available with the following dimensions

| Through drive option | Drawing Dimension | A | B | C | D | E | F | G | Remark |
|----------------------|-------------------|-------|------|-----|------|-----|-----|-----|--------------|
| A | | 82.55 | 8 | - | - | - | 106 | M10 | SAE A 2-Bolt |
| B | | 101.6 | 10.5 | 127 | 89.8 | M12 | - | - | SAE B 4-Bolt |
| J | | 100 | 10.5 | 125 | 88.4 | M10 | - | - | 4-Bolt |

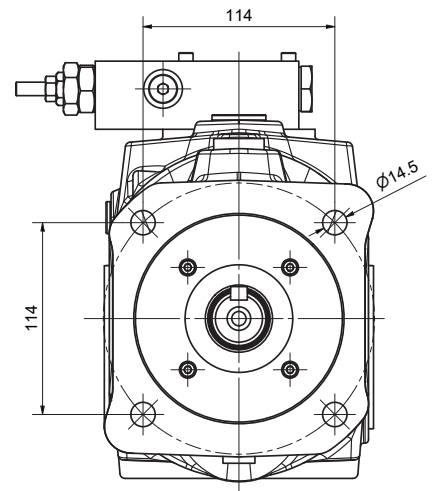
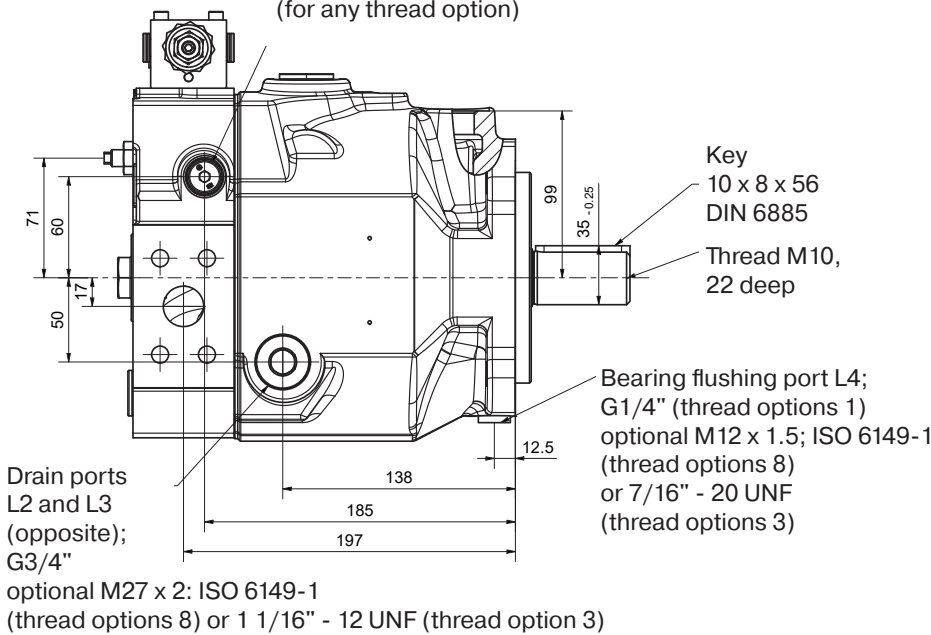
PV032-046, metric version

Interface for power pilot cartridge
 or CIP Sensor for
 displacement feedback

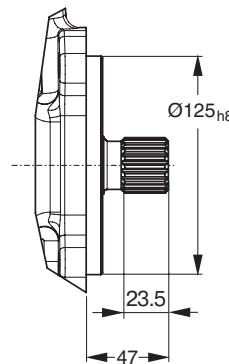
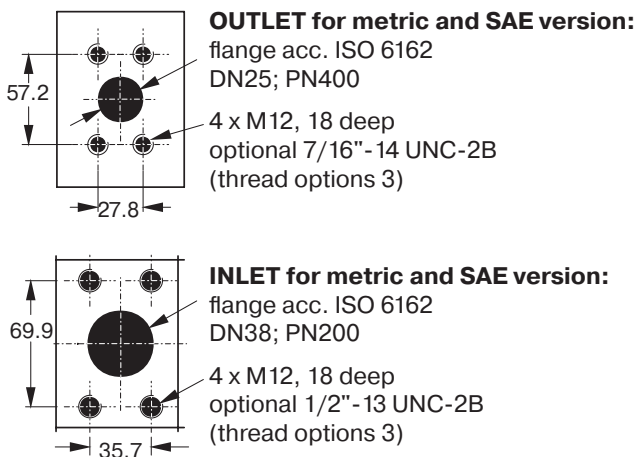
Drain port L1; G3/4" optional M27 x 2;
 ISO 6149-1 (thread options 8)
 or 1 1/16" - 12 UNF (thread option 3)



Gage port M; ISO 6149-1 M14x1.5
 (for any thread option)

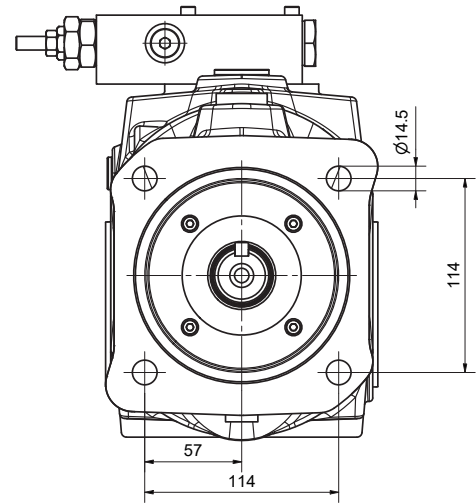
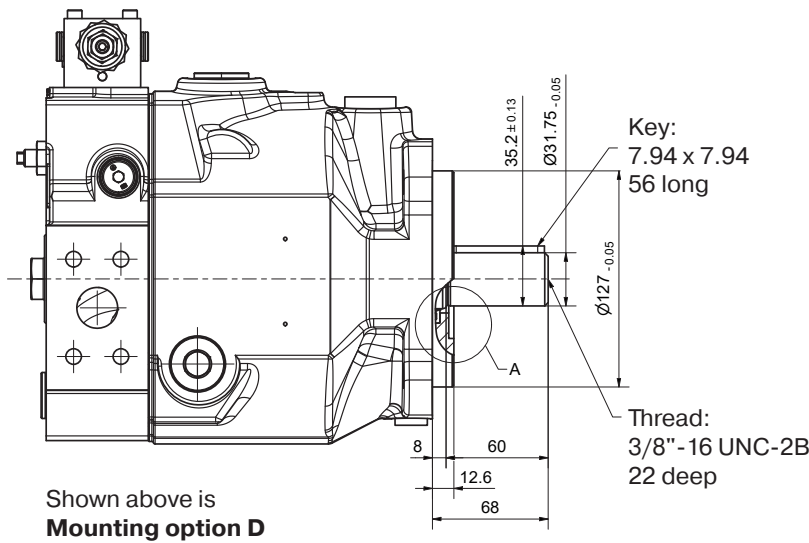


The pump shown above has **Mounting option K** and **through drive variation T** (prepared for through drive)

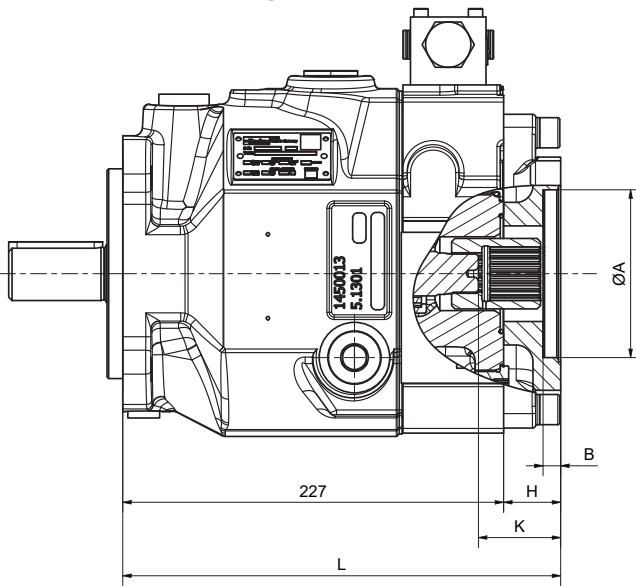


Shown is a clockwise rotating pump with standard pressure compensator. Counter clockwise rotating pumps have inlet, outlet and gage port reversed.

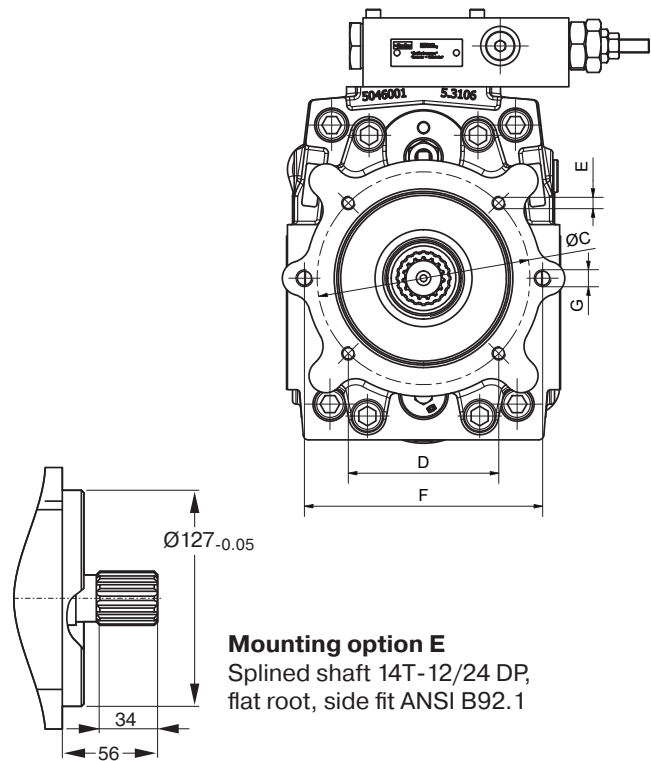
PV032-046, SAE version



Variation with through drive



At threads options 3 and 7 the dimensions E and G are UNC - 2B threads.

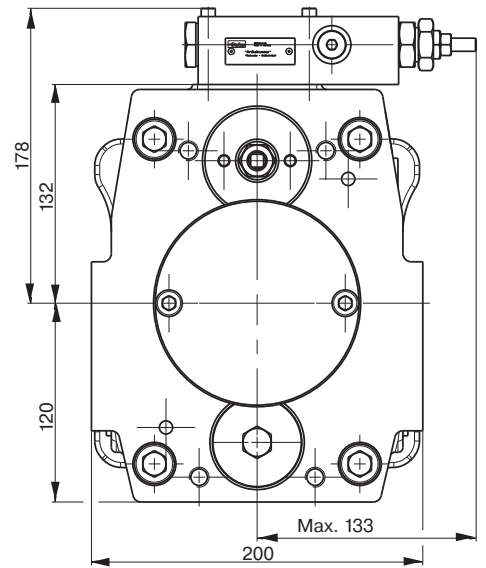
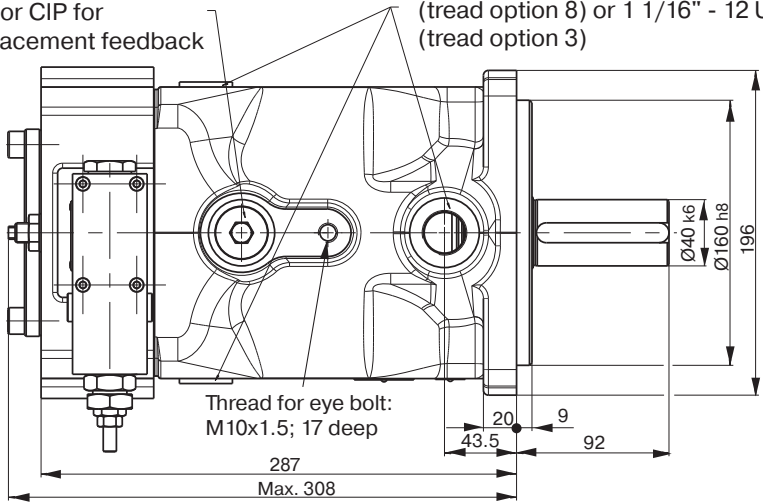


| Through drive adaptors are available with the following dimensions | | | | | | | | | | | | |
|--|-------------------|-------|------|-----|-------|-----|-----|-----|----|----|-----|----------------|
| Through drive option | Drawing Dimension | A | B | C | D | E | F | G | H | K | L | Remark |
| A | | 82.55 | 8 | - | - | - | 106 | M10 | 34 | 48 | 261 | SAE A 2-Bolt |
| B | | 101.6 | 11 | 127 | 89.8 | M12 | 146 | M12 | 34 | 48 | 261 | SAE B 2/4-Bolt |
| C | | 127 | 13.5 | 162 | 114.6 | M12 | - | - | 49 | 63 | 276 | SAE C 4-Bolt |
| J | | 100 | 10.5 | 125 | 88.4 | M10 | 140 | M12 | 34 | 48 | 261 | 2/4-Bolt |
| K | | 125 | 10.5 | 160 | 113.1 | M12 | - | - | 34 | 48 | 261 | 4-Bolt |

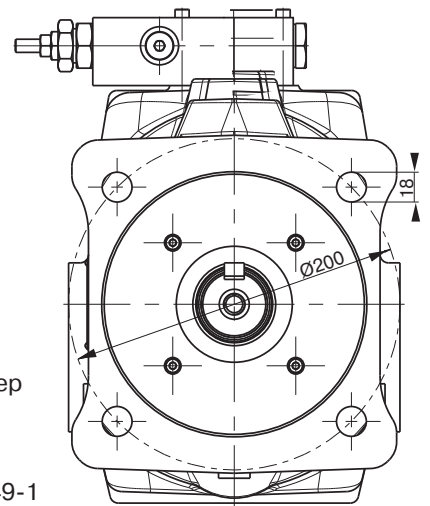
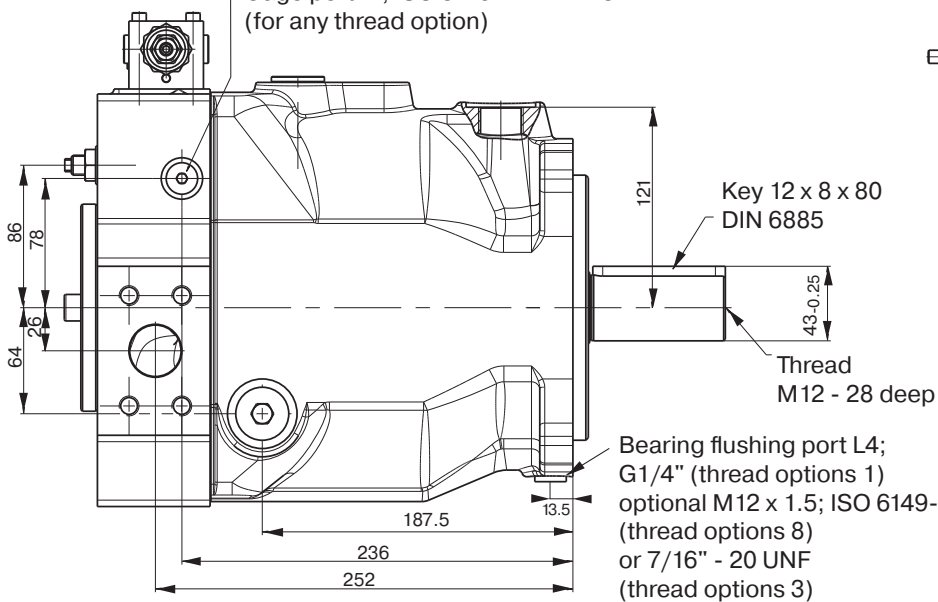
PV 063-092, metric version

Mounting interface for horse power pilot or CIP for displacement feedback

Drain ports L1, L2 and L3; G3/4" optional M27 x 2; ISO 6149-1 (tread option 8) or 1 1/16" - 12 UNF (tread option 3)



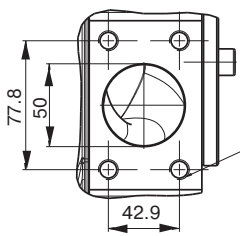
Gage port M; ISO 6149-1 M14x1.5 (for any thread option)



The pump shown above has **Mounting option K** and **through drive variation T** (prepared for through drive)

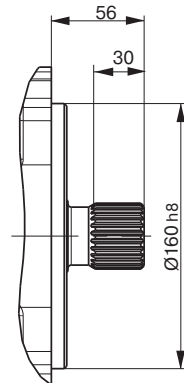
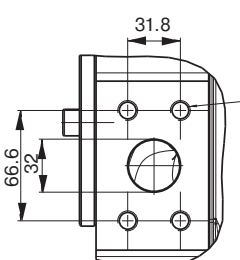
INLET for metric and SAE version:

flange according ISO 6162 DN 51; PN 200 bar
 4 x M12, 20 deep optional 1/2" - 13 UNC - 2B (thread options 3)



OUTLET for metric and SAE version:

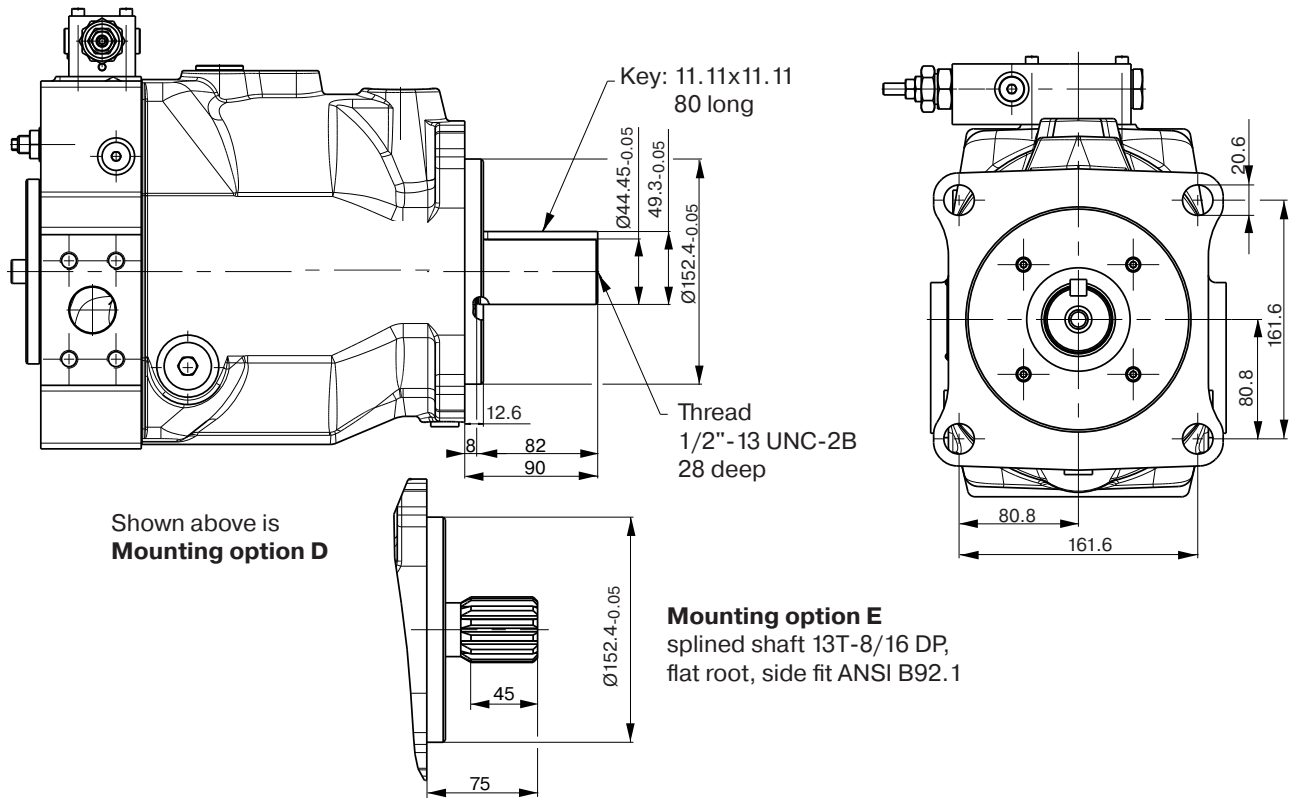
flange according ISO 6162 DN 32; PN 400 bar
 4 x M12, 20 deep optional 1/2" - 13 UNC - 2B (thread options 3) or 4 x M14, 20 deep (thread options 4)



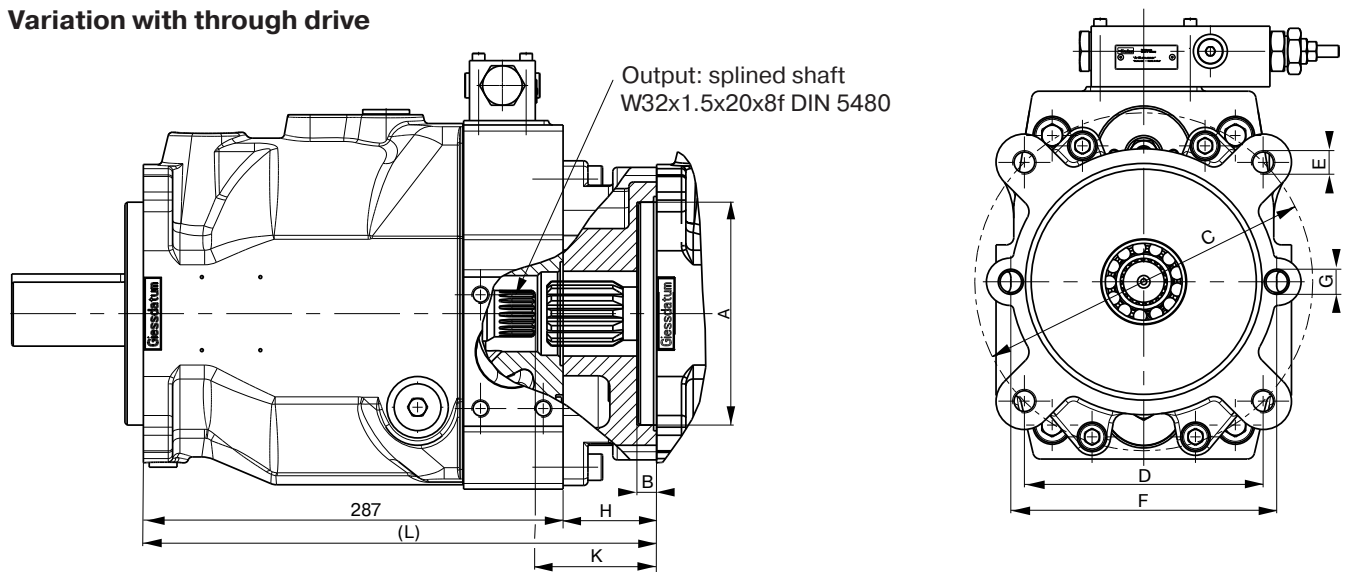
Mounting option L, splined shaft W40 x 1.5 x 25 x 8f DIN 5480

Shown is a clockwise rotating pump with standard pressure compensator. Counter clockwise rotating pumps have inlet, outlet and gage port reversed.

PV 063-092 SAE Version



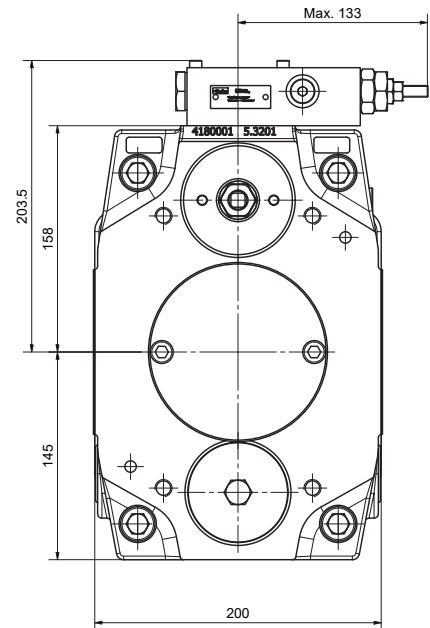
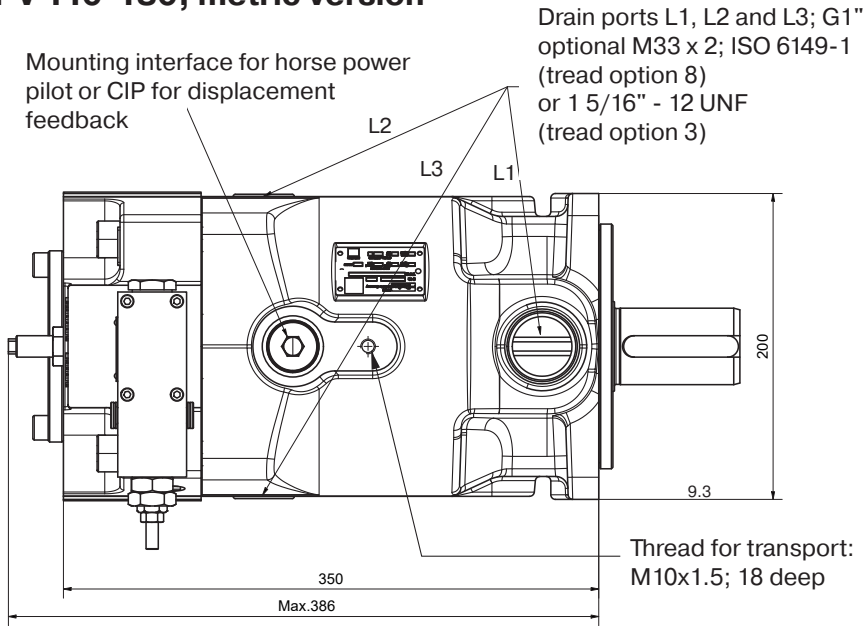
Variation with through drive



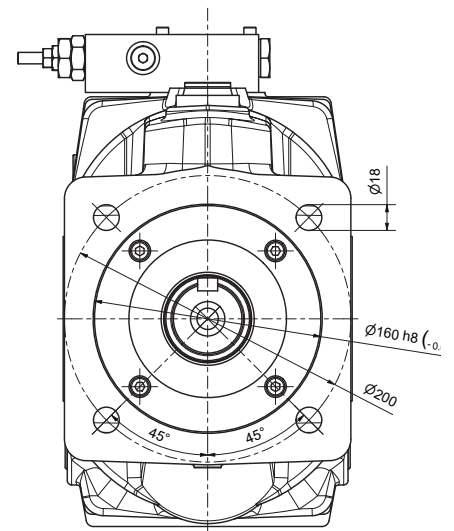
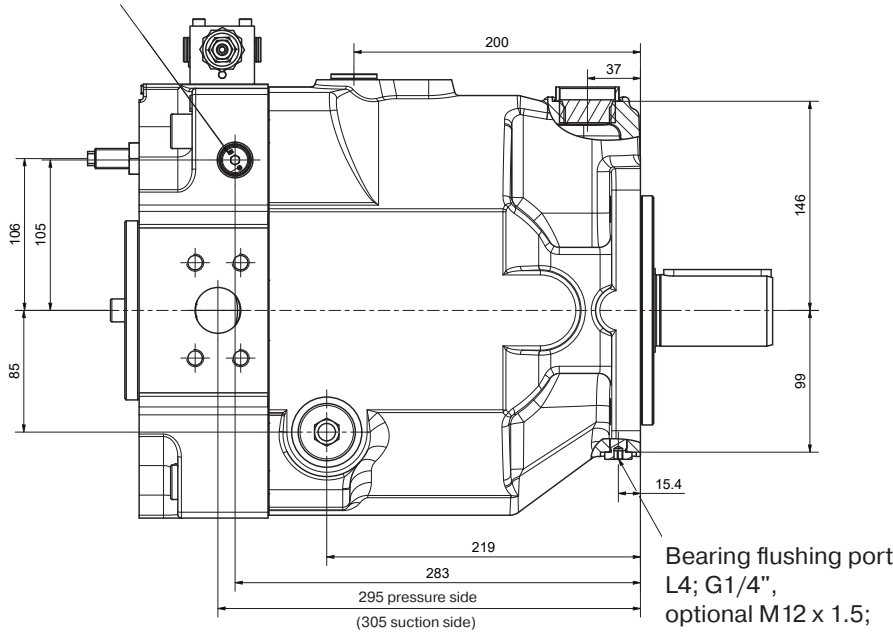
Through drive adaptors are available with the following dimensions

| Through drive option | Drawing Dimension | A | B | C | D | E | F | G | H | K | L | Remark |
|----------------------|-------------------|-------|------|-------|-------|-----|-----|-----|----|----|-----|----------------|
| A | | 82.55 | 8 | - | - | - | 106 | M10 | 39 | 58 | 326 | SAE A 2-Bolt |
| B | | 101.6 | 11 | 127 | 89.8 | M12 | 146 | M12 | 39 | 58 | 326 | SAE B 2/4-Bolt |
| C | | 127 | 13.5 | 162 | 114.6 | M12 | 181 | M16 | 39 | 58 | 326 | SAE C 2/4-Bolt |
| D | | 152.4 | 13.5 | 228.5 | 161.6 | M16 | - | - | 64 | 83 | 351 | SAE D 4-Bolt |
| J | | 100 | 10.5 | 125 | 88.4 | M10 | 140 | M12 | 39 | 58 | 326 | 2/4-Bolt |
| K | | 125 | 10.5 | 160 | 113.1 | M12 | 180 | M16 | 39 | 58 | 326 | 2/4-Bolt |
| L | | 160 | 13.5 | 200 | 141.4 | M16 | - | - | 39 | 58 | 326 | 4-Bolt |

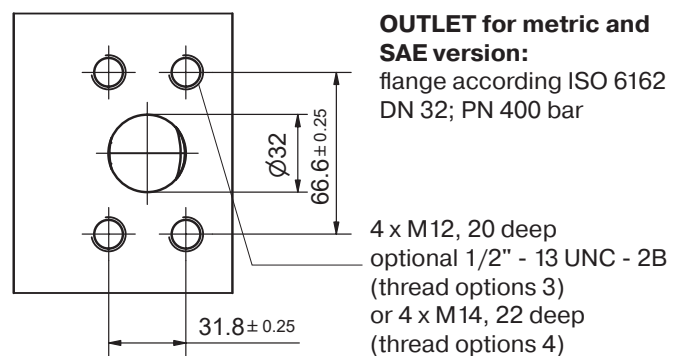
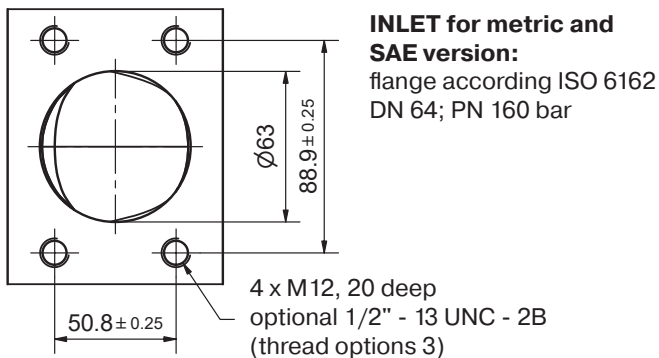
PV 140-180, metric version



Gage port M; ISO 6149-1 M14x1.5 (for any thread option)



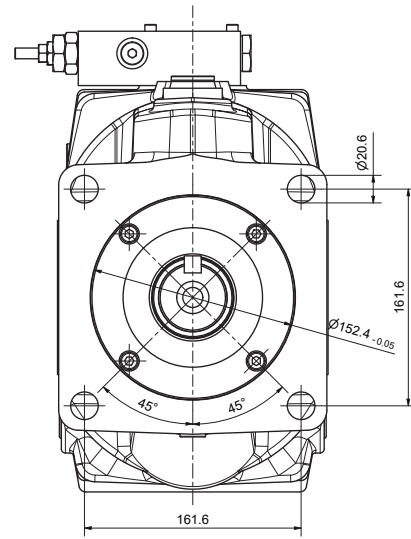
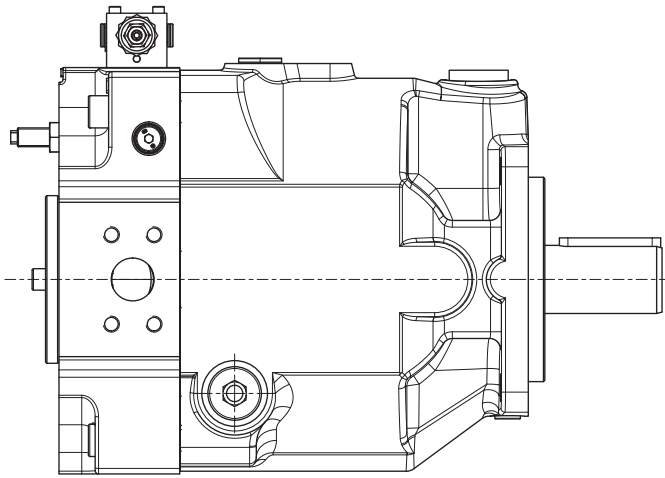
Flange according DIN ISO 3019-2 metric for mounting interface code K and L



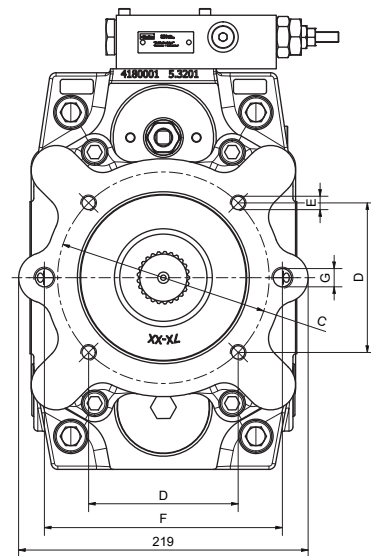
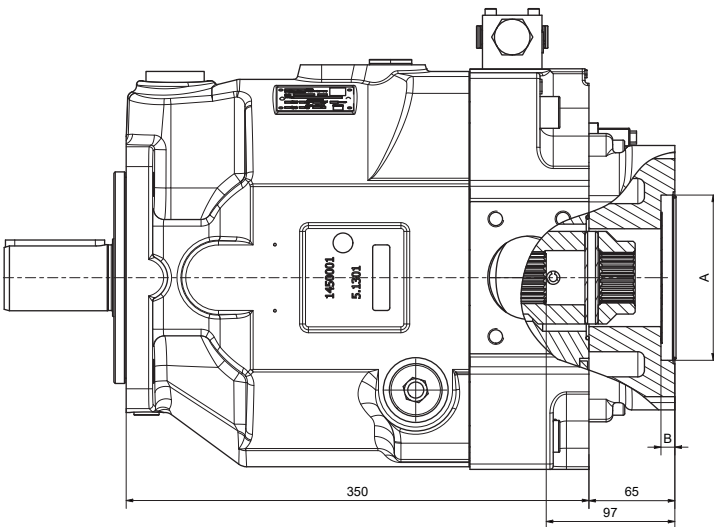
PV 140-180 SAE Version

Flange according DIN ISO 3019-1 SAE for mounting interface code D, E, F and G

Shown are clockwise rotating pumps. Counter clockwise rotating pumps have inlet, outlet and gage port reversed.



Variation with through drive

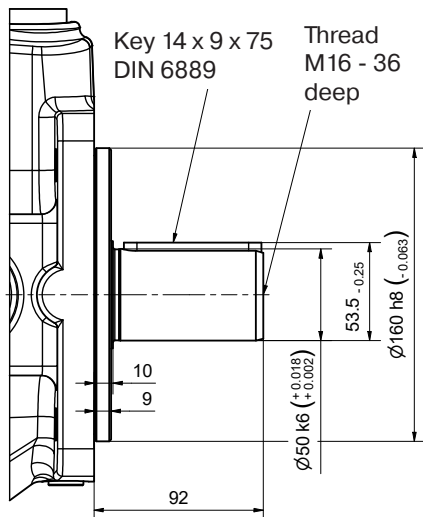


Through drive adaptors are available with the following dimensions

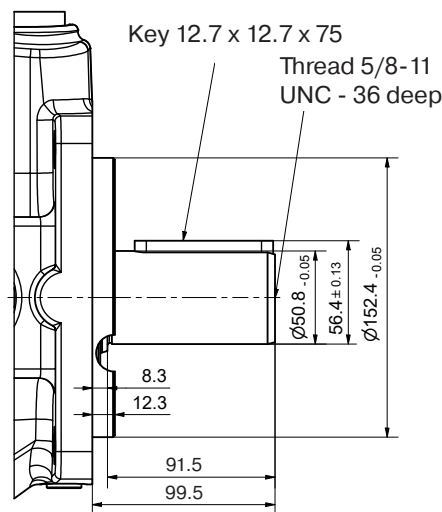
| Through drive option | Drawing Dimension | A | B | C | D | E | F | G | Remark |
|----------------------|-------------------|-------|------|-------|-------|-----|-----|-----|----------------|
| A | | 82.55 | 8 | - | - | - | 106 | M10 | SAE A 2-Bolt |
| B | | 101.6 | 11 | 127 | 89.8 | M12 | 146 | M12 | SAE B 2/4-Bolt |
| C | | 127 | 13.5 | 162 | 114.6 | M12 | 181 | M16 | SAE C 2/4-Bolt |
| D | | 152.4 | 13.5 | 228.5 | 161.6 | M16 | - | - | SAE D 4-Bolt |
| J | | 100 | 10.5 | 125 | 88.4 | M10 | 140 | M12 | 2/4-Bolt |
| K | | 125 | 10.5 | 160 | 113.1 | M12 | 180 | M16 | 2/4-Bolt |
| L | | 160 | 13.5 | 200 | 141.4 | M16 | - | - | 4-Bolt |

PV 140-180 Mounting options

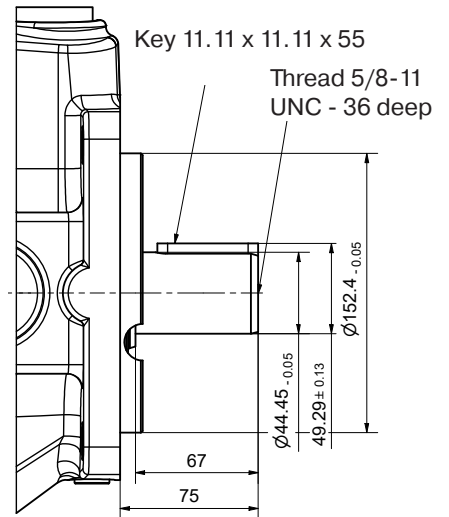
Mounting option K
 shaft keyed metric



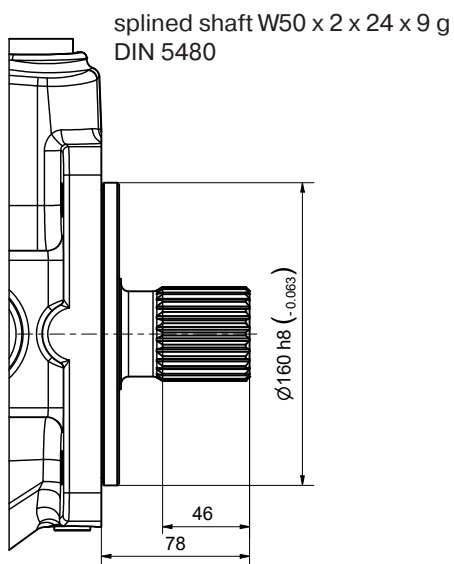
Mounting option D
 shaft keyed SAE



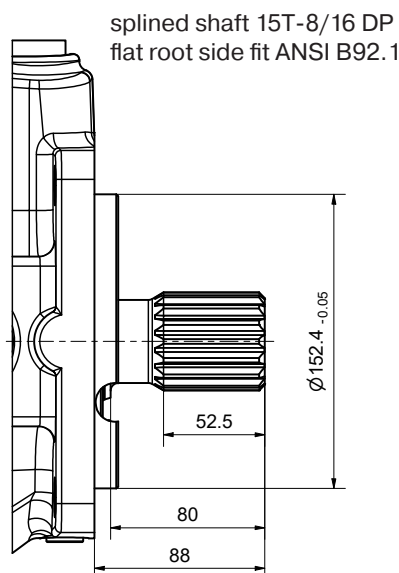
Mounting option F
 shaft keyed SAE



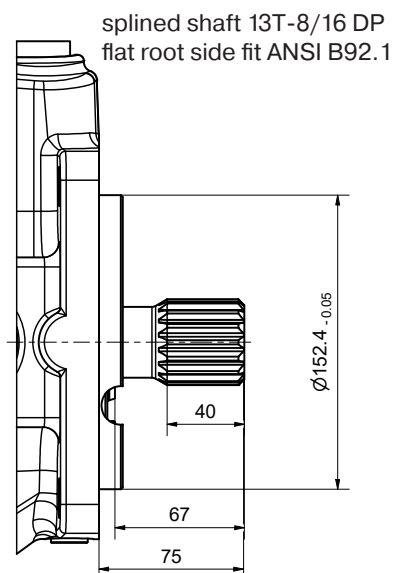
Mounting option L
 shaft splined metric



Mounting option E
 shaft splined SAE

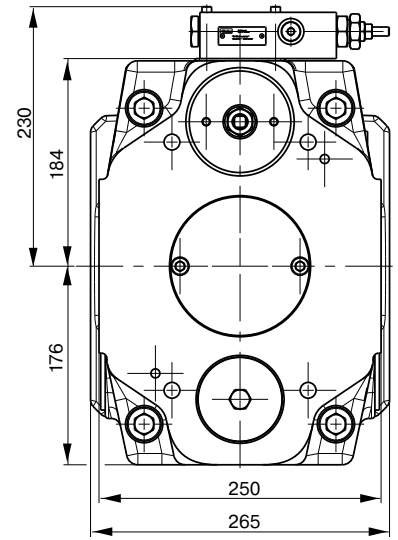
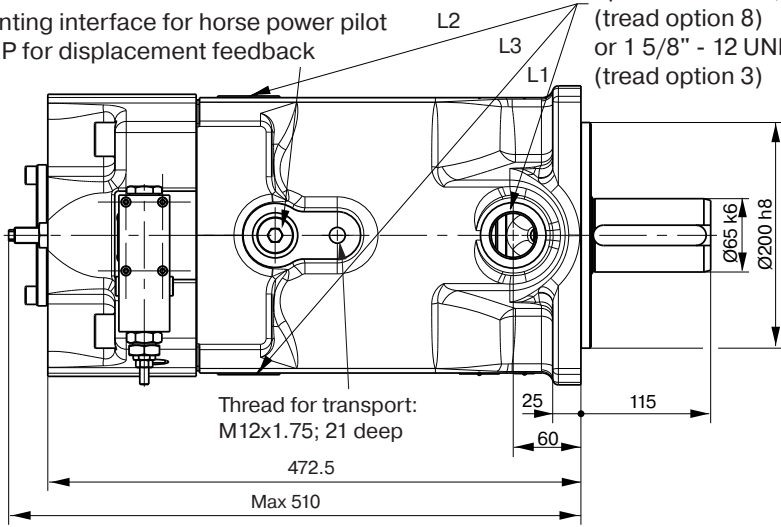


Mounting option G
 shaft splined SAE

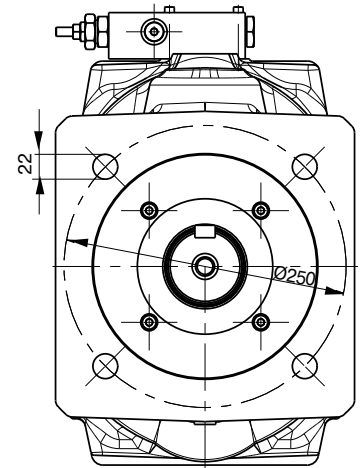
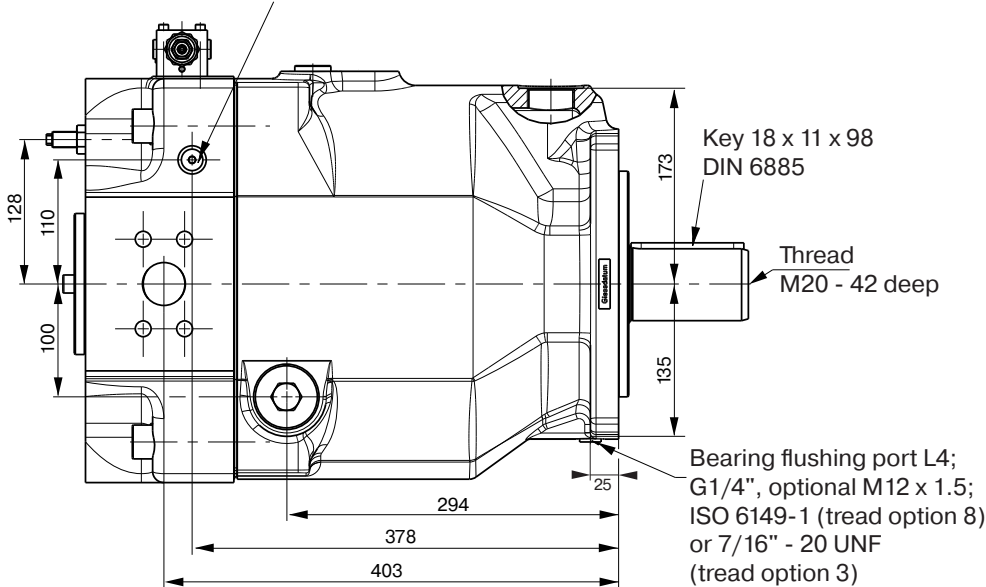


PV 270, metric version

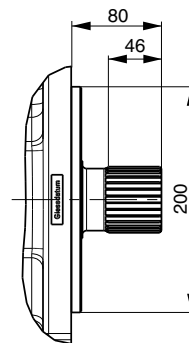
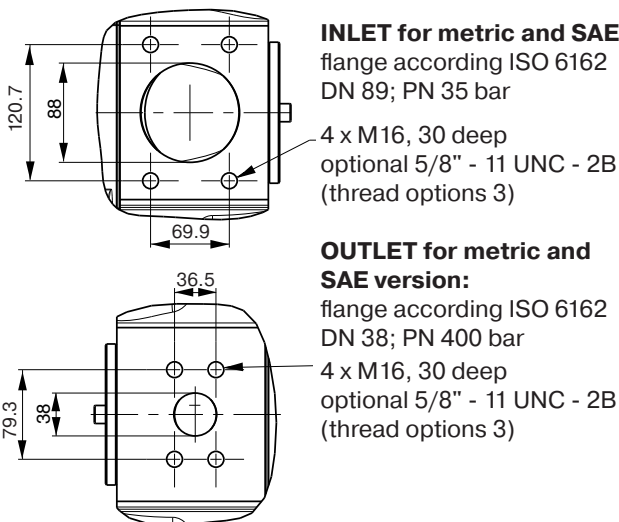
Mounting interface for horse power pilot or CIP for displacement feedback



Gage port M; ISO 6149-1 M14x1.5 (for any thread option)



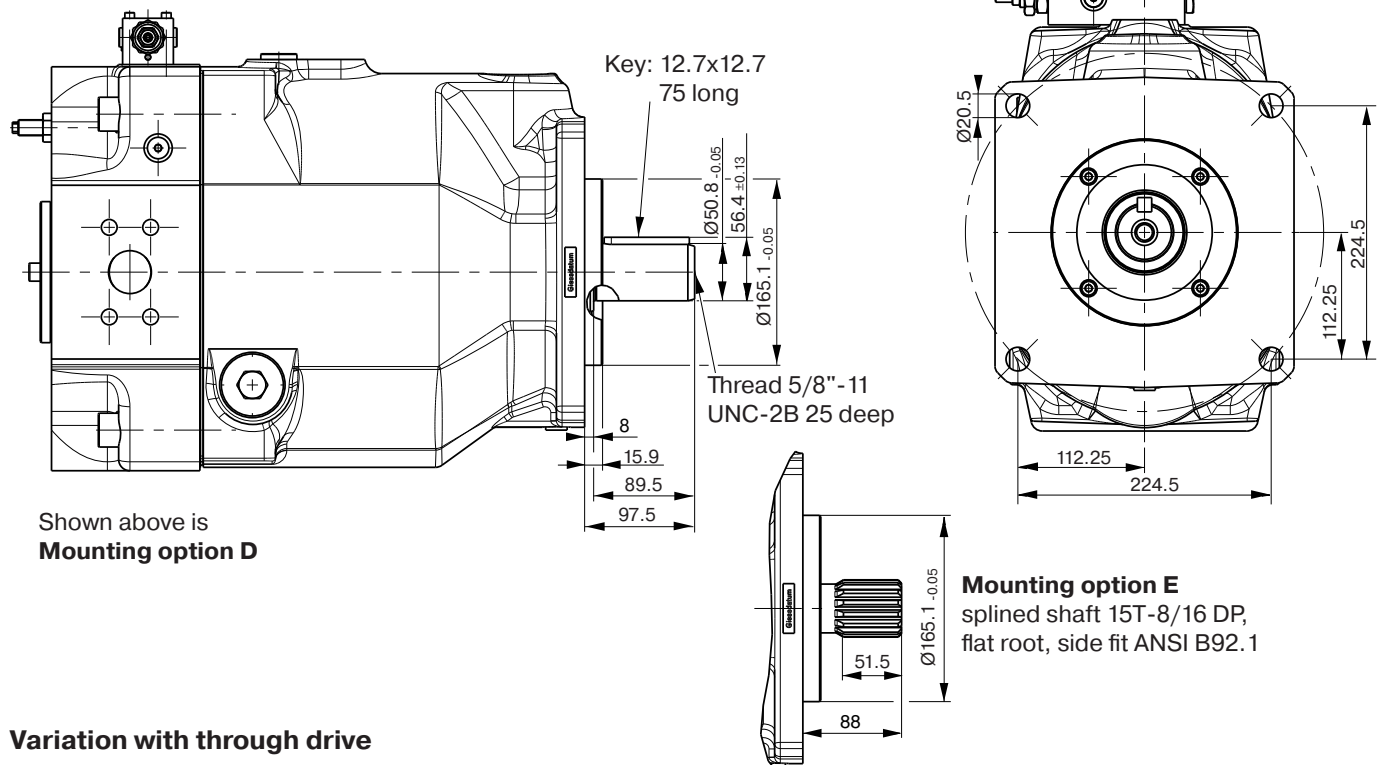
The pump shown above has **Mounting option K** and **through drive variation T** (prepared for through drive)



Mounting option L,
 splined shaft
 W60 x 2 x 28 x 9g DIN 5480

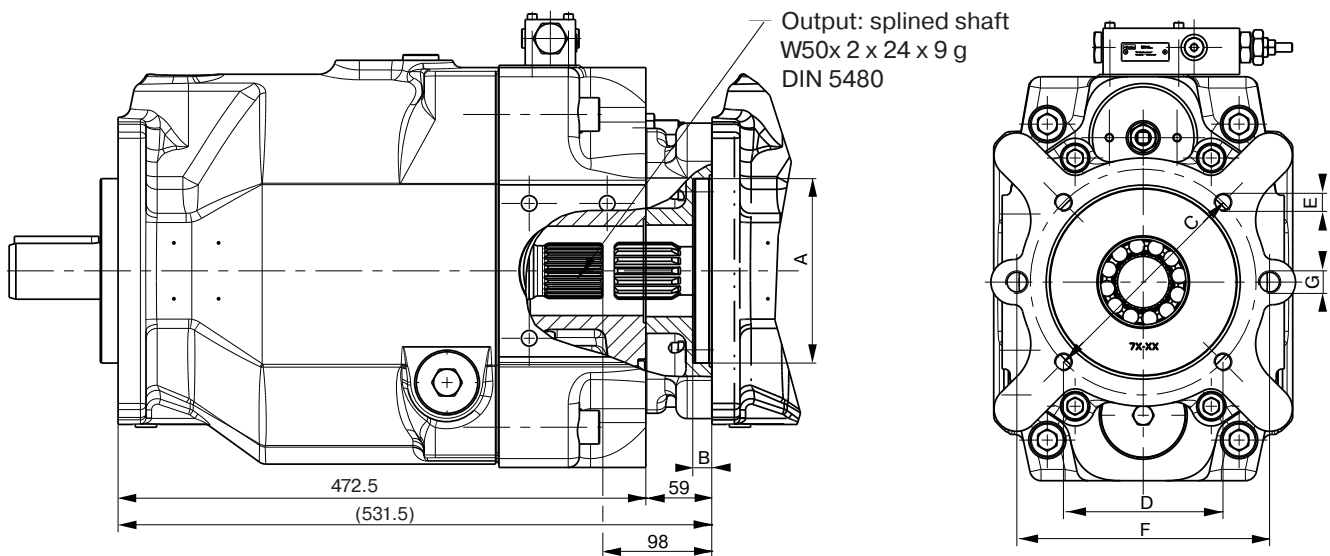
Shown is a clockwise rotating pump with standard pressure control. Counter clockwise rotating pump have inlet, outlet and gage port reversed.

PV 270 SAE Version



Shown above is
Mounting option D

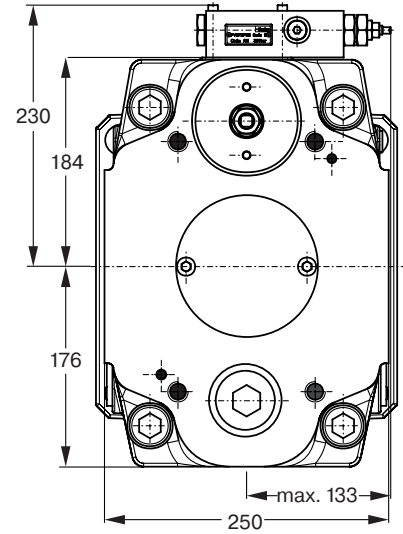
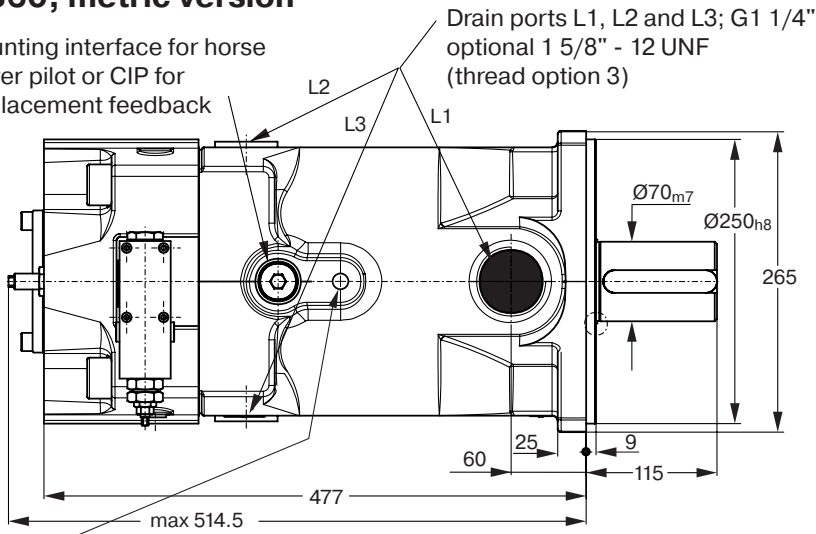
Variation with through drive



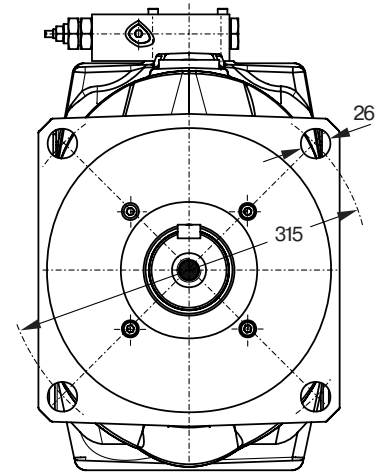
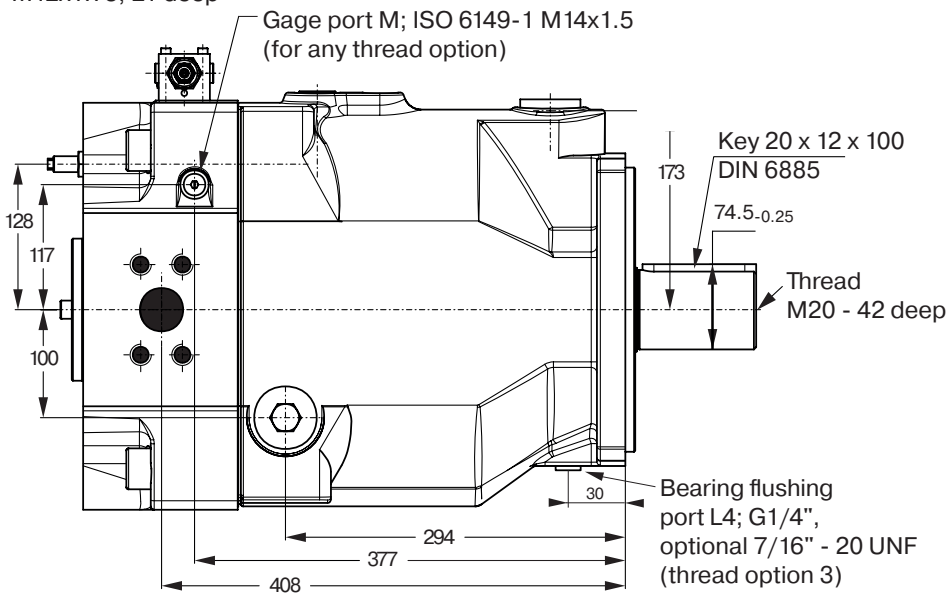
| Through drive adaptors are available with the following dimensions | | | | | | | | | |
|--|-------------------|-------|------|-------|-------|-----|-----|-----|----------------|
| Through drive option | Drawing Dimension | A | B | C | D | E | F | G | Remark |
| A | | 82.55 | 8 | - | - | - | 106 | M10 | SAE A 2-Bolt |
| B | | 101.6 | 11 | 127 | 89.8 | M12 | 146 | M12 | SAE B 2/4-Bolt |
| C | | 127 | 13.5 | 162 | 114.6 | M12 | 181 | M16 | SAE C 2/4-Bolt |
| D | | 152.4 | 13.5 | 228.5 | 161.6 | M16 | 229 | M16 | SAE D 2/4-Bolt |
| E | | 165.1 | 17 | 317.5 | 224.5 | M20 | - | - | SAE E 4-Bolt |
| J | | 100 | 10.5 | 125 | 88.4 | M10 | 140 | M12 | 2/4-Bolt |
| K | | 125 | 10.5 | 160 | 113.1 | M12 | 180 | M16 | 2/4-Bolt |
| L | | 160 | 13.5 | 200 | 141.4 | M16 | 224 | M20 | 2/4-Bolt |
| M | | 200 | 13.5 | 250 | 176.8 | M20 | - | - | 4-Bolt |

PV 360, metric version

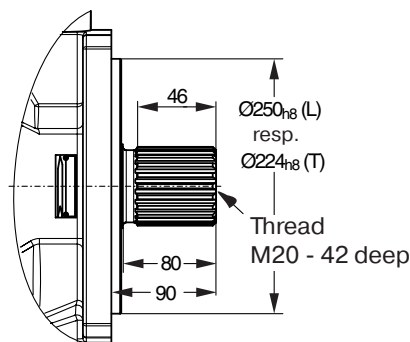
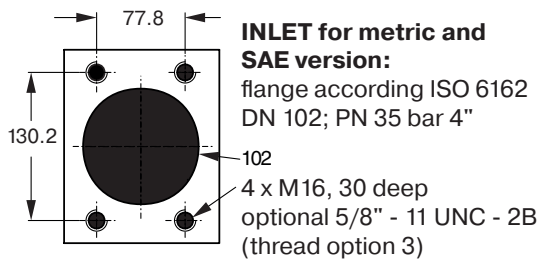
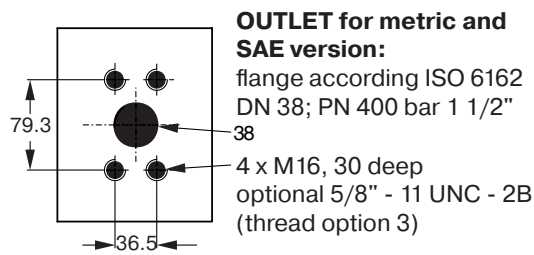
Mounting interface for horse power pilot or CIP for displacement feedback



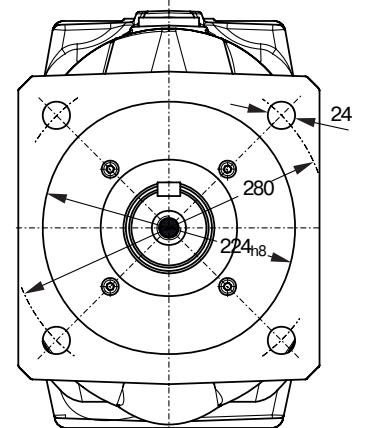
Thread for transport:
 M12x1.75; 21 deep



The pump shown above has **Mounting option K** and **through drive variation T** (prepared for through drive)



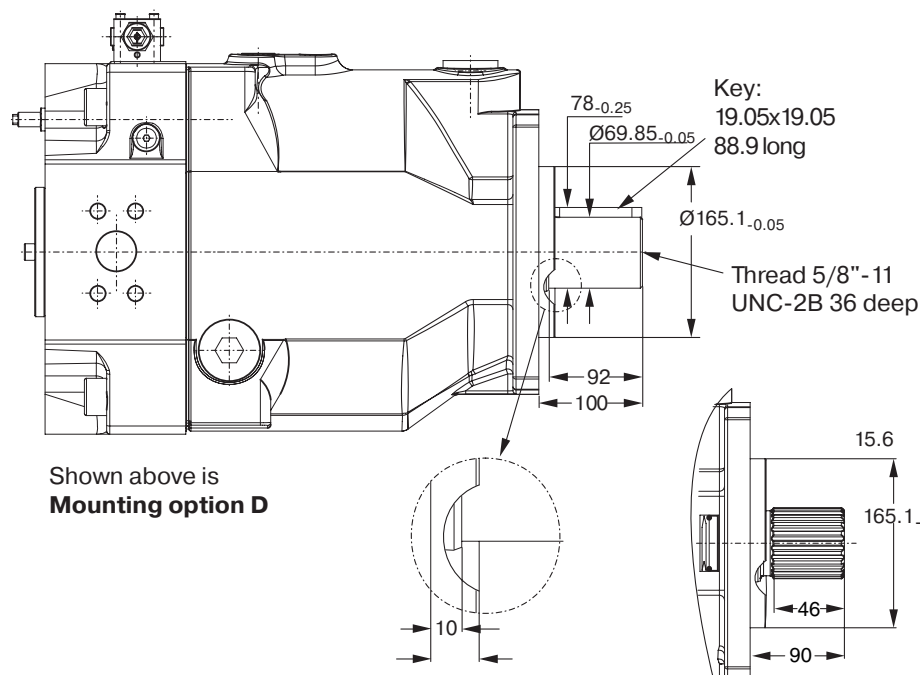
Mounting option L, T,
 splined shaft
 W 70 x 3 x 22 x 8f DIN 5480



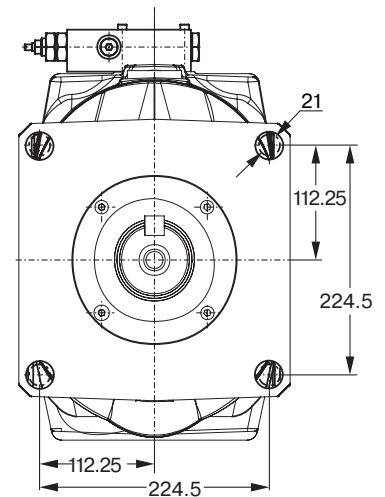
mounting option R
 pilot diameter Ø224 mm

Shown is a clockwise rotating pump with standard pressure control. Counter clockwise rotating pump have inlet, outlet and gage port reversed.

PV 360 SAE Version

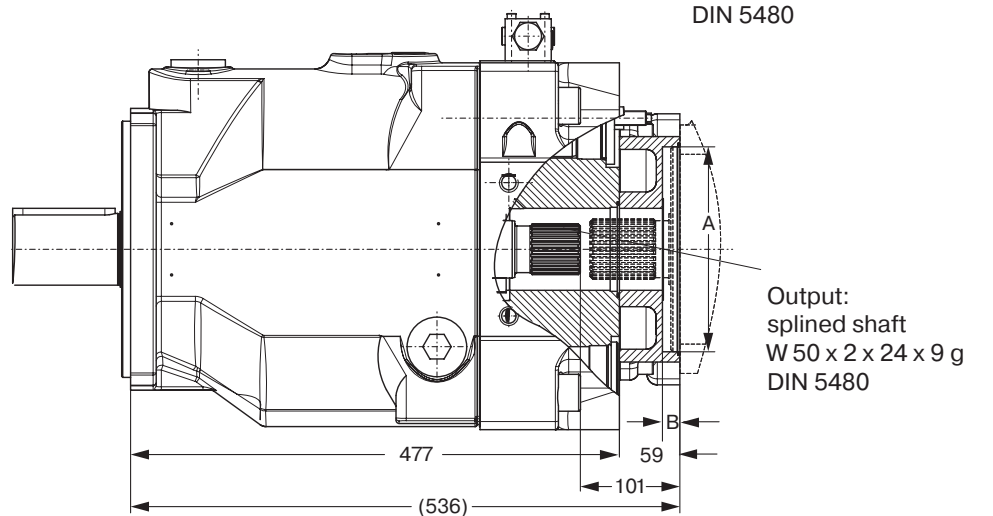


Shown above is
Mounting option D

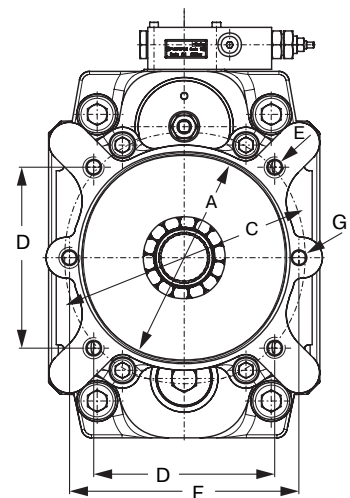


Note:
 The dimensions shown conform to ISO 3019/1 the actual hole dimensions conform to ISO 3019/2 (pitch Ø315, hole Ø26, see previous page) and cover ISO 3019/1 dimensions as well. Use washers when assembling pump.

Variation with through drive



Mounting option E
 splined shaft W 70x3x22x8f,
 DIN 5480

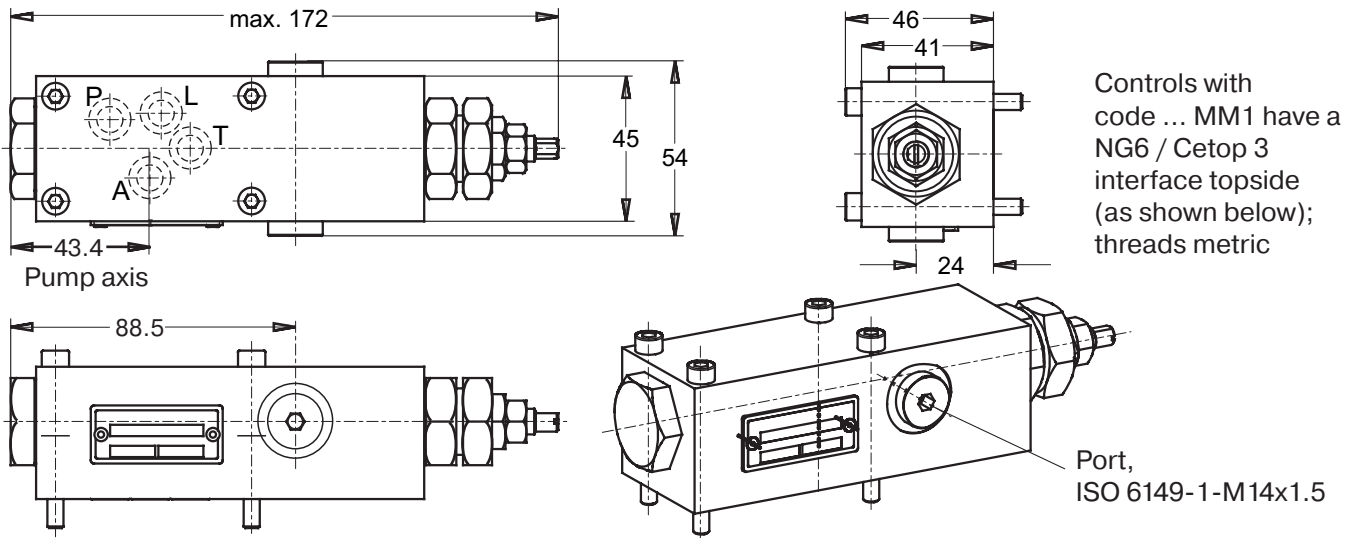


Output:
 splined shaft
 W 50 x 2 x 24 x 9 g
 DIN 5480

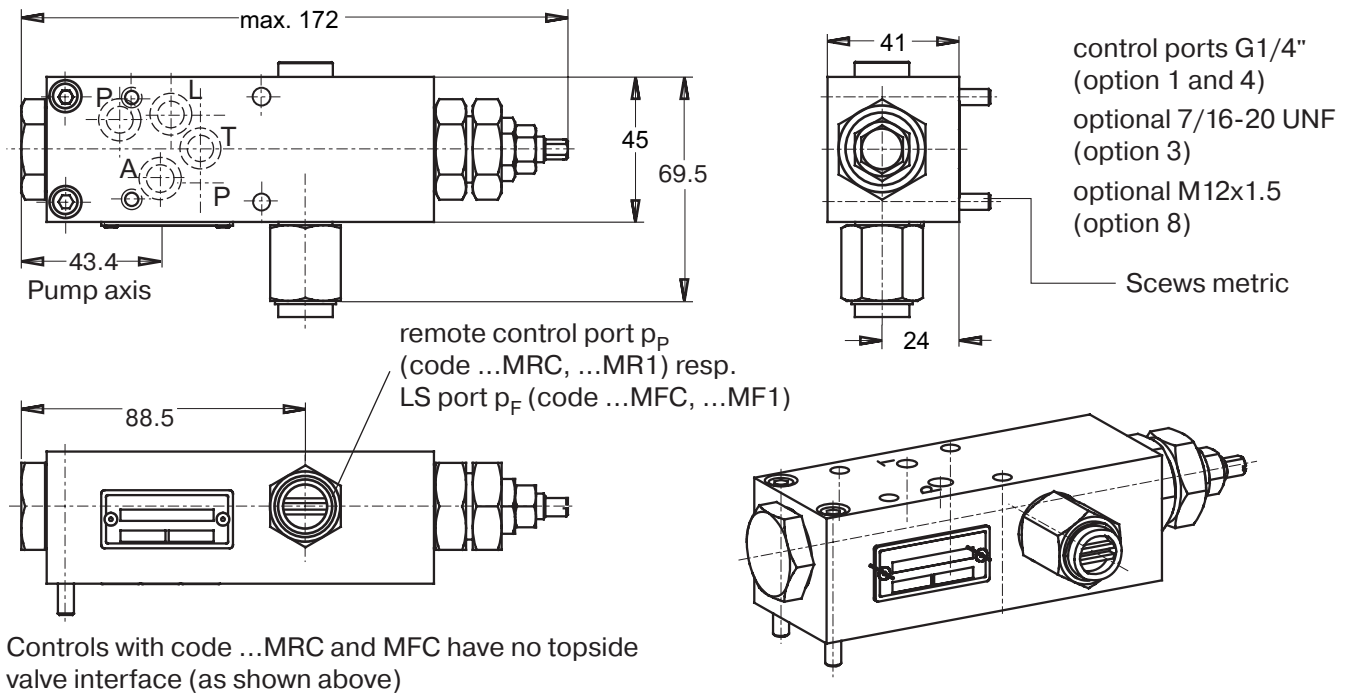
Through drive adaptors are available with the following dimensions

| Drawing Dimension | A | B | C | D | E | F | G | Remark |
|----------------------|-------|------|-------|-------|-----|-----|-----|----------------|
| Through drive option | | | | | | | | |
| A | 82.55 | 8 | - | - | - | 106 | M10 | SAE A 2-Bolt |
| B | 101.6 | 11 | 127 | 89.8 | M12 | 146 | M12 | SAE B 2/4-Bolt |
| C | 127 | 13.5 | 162 | 114.6 | M12 | 181 | M16 | SAE C 2/4-Bolt |
| D | 152.4 | 13.5 | 228.5 | 161.6 | M16 | 229 | M16 | SAE D 2/4-Bolt |
| E | 165.1 | 17 | 317.5 | 224.5 | M20 | - | - | SAE E 4-Bolt |
| J | 100 | 10.5 | 125 | 88.4 | M10 | 140 | M12 | 2/4-Bolt |
| K | 125 | 10.5 | 160 | 113.1 | M12 | 180 | M16 | 2/4-Bolt |
| L | 160 | 13.5 | 200 | 141.4 | M16 | 224 | M20 | 2/4-Bolt |
| M | 200 | 13.5 | 250 | 176.8 | M20 | - | - | 4-Bolt |

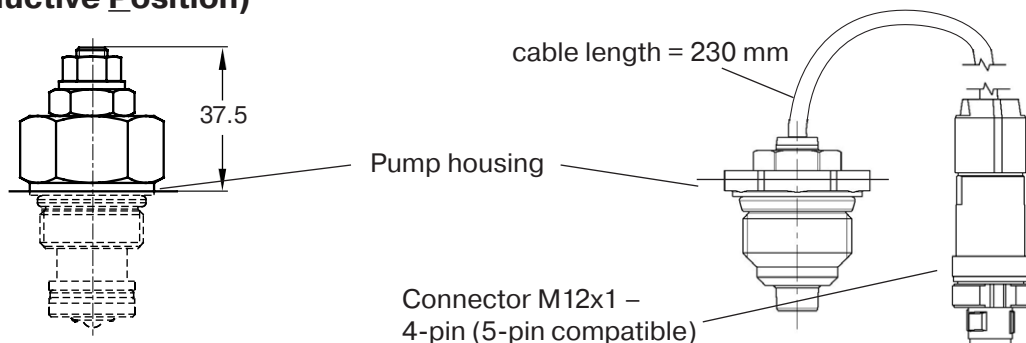
Dimensions standard pressure control, code ...MMC



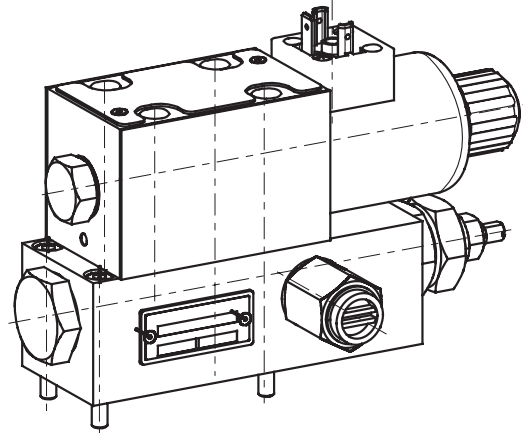
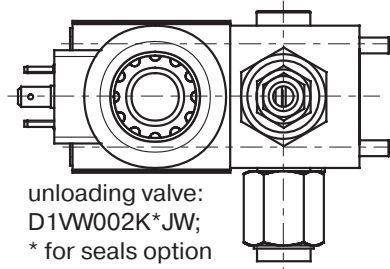
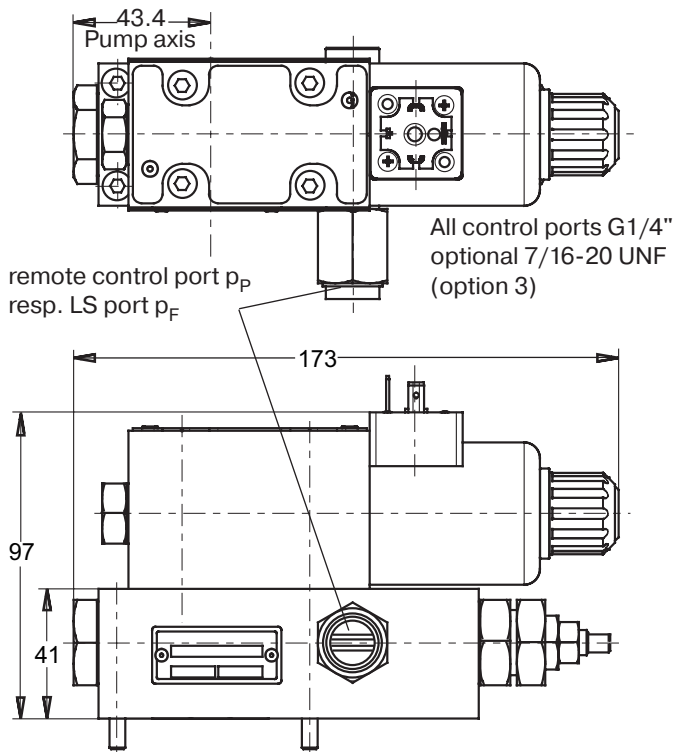
Dimensions remote pressure and load sensing control, codes ...MR1, ...MF1



Dimensions horse power pilot cartridge, displacement sensor (Contactless Inductive Position)

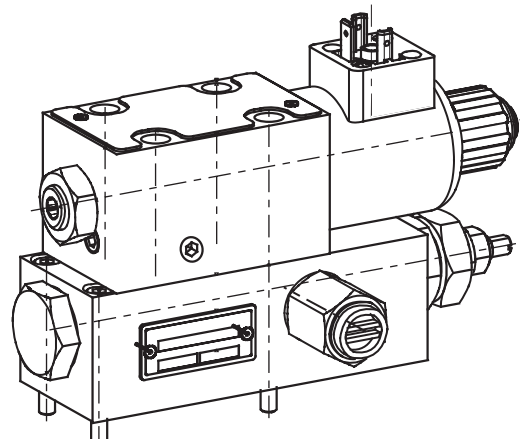
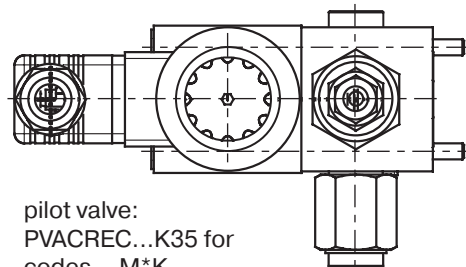
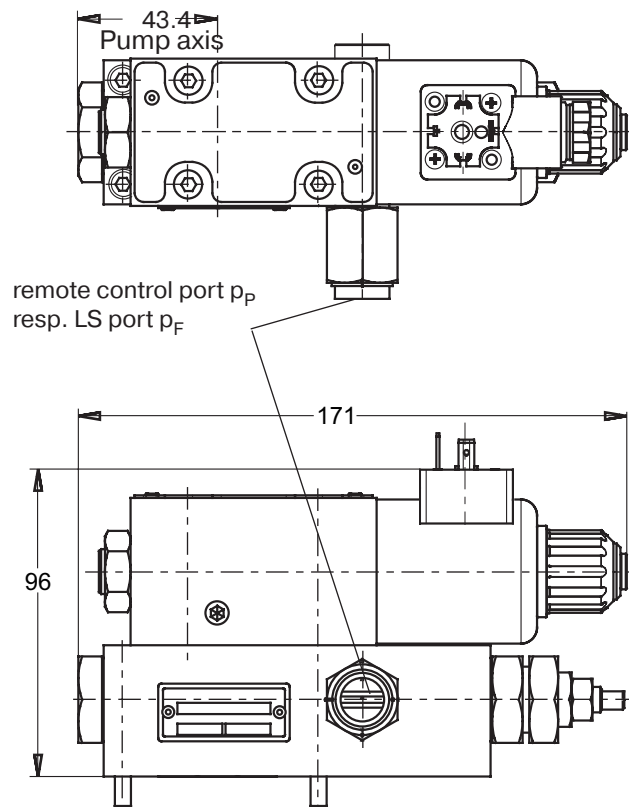


Dimensions for controls with unloading valve, codes ...M*W



Shown in version MRW/MFW, version MMW has no remote control port.

Dimensions for controls with proportional pressure pilot valve, codes ...M*K

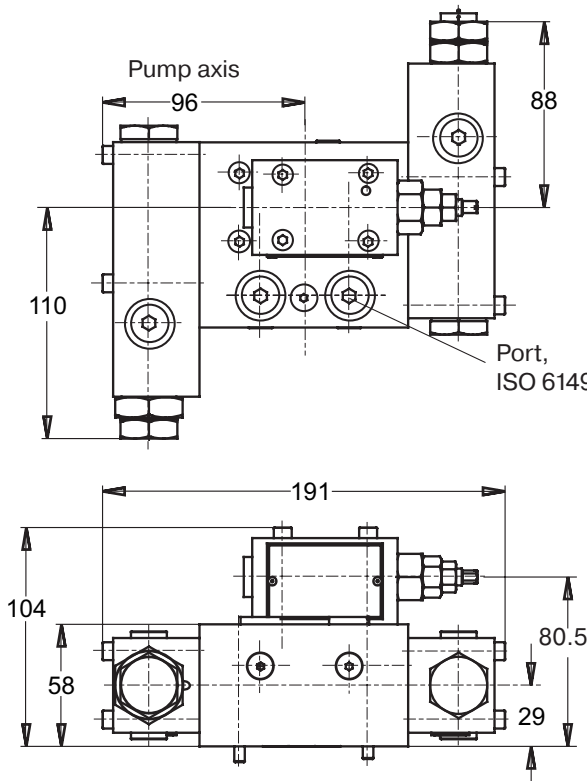


Shown in version MRK/MFK, version MMK has no remote control port.

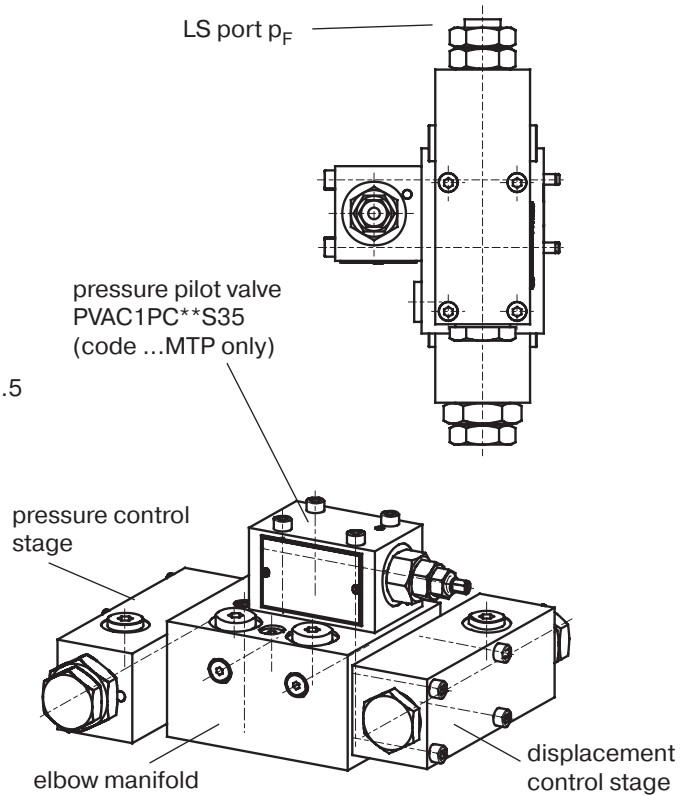
Dimensions for horse power compensator *L* and *C* are identical to MM* respectively MF*.

Dimensions two spool load sensing control, code ...MT1, ...MTP

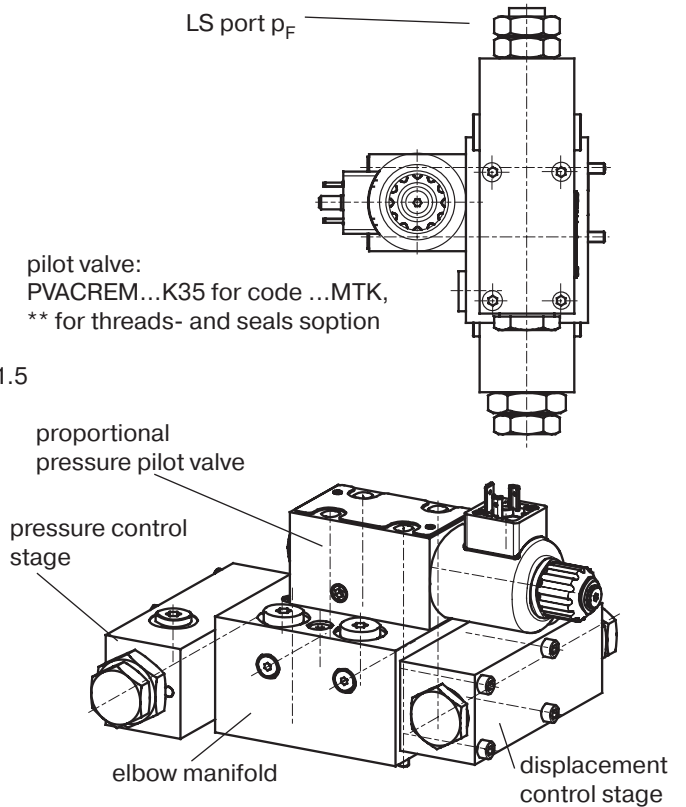
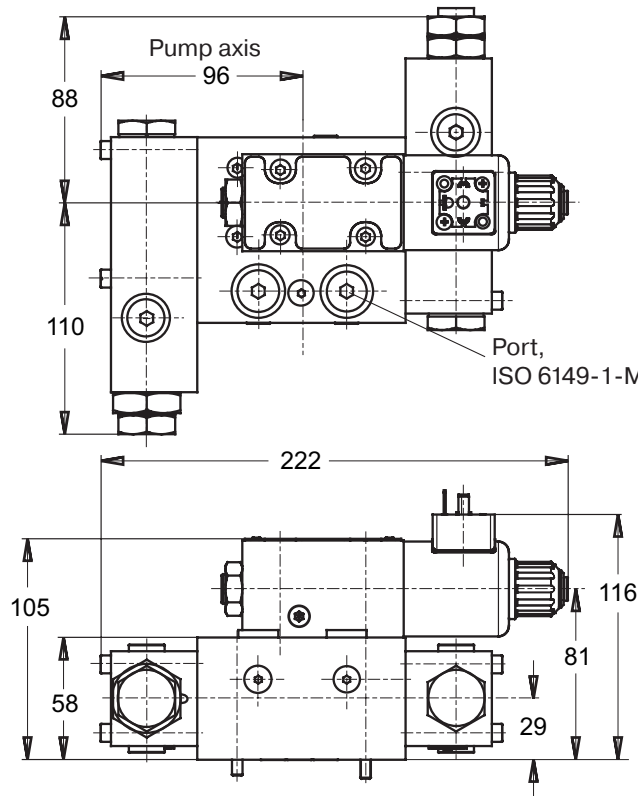
All connecting screws metric



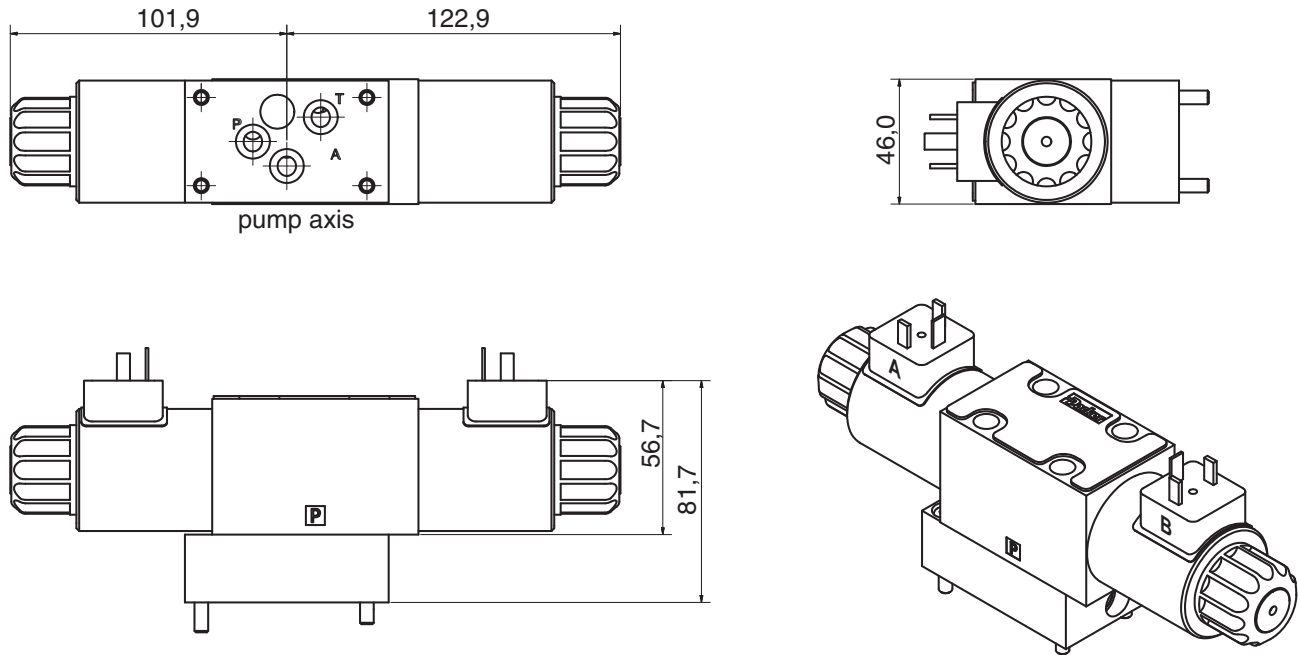
Shown version MTP



Dimensions two spool load sensing control with proportional pressure pilot valve, code ...MTK – All connecting screws metric

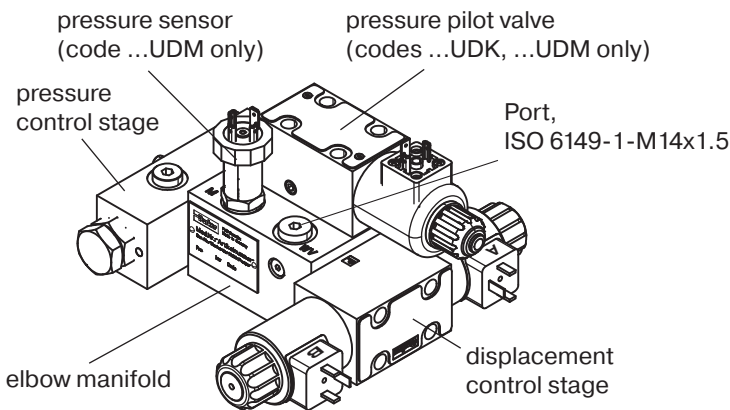


Dimensions proportional displacement control, code ...FDV – All connecting screws metric

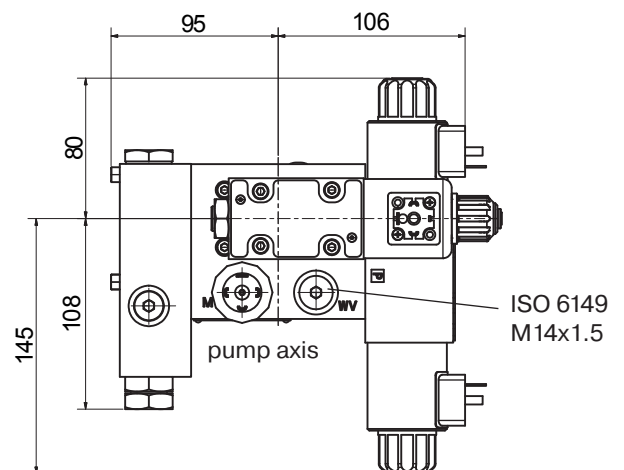
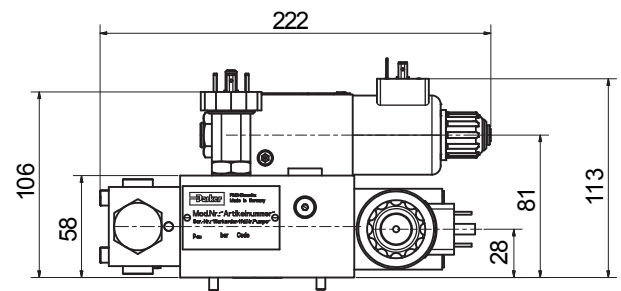
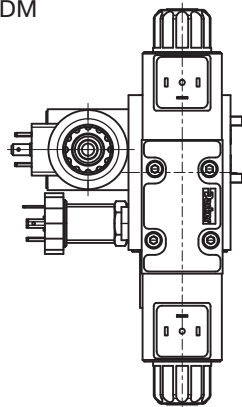


Dimensions proportional p/Q-control, codes ...UDR, ...UDK, ...UDM

All connecting screws metric



pilot valve:
 PVACREM...K35 for code ...UDK, UDM
 ** for threads- and seals option



Features

- Digital control circuit
- Covers all displacements
- Covers all available functions (pressure, displacement, power)
- Predefined parameter sets (Plug & Play)
- Connection via USB cable (USB-A/USB-B)
- Ramp time up to 60 seconds
- Compliant to the relevant european EMC specifications
- Offline editing of parameter sets
- Error diagnosis
- Easy hands on control tuning due to online monitoring of PID gains
- All settings (ramps, MIN/MAX, control parameters) can be stored digitally and recalled from a PC to duplicate settings to other modules

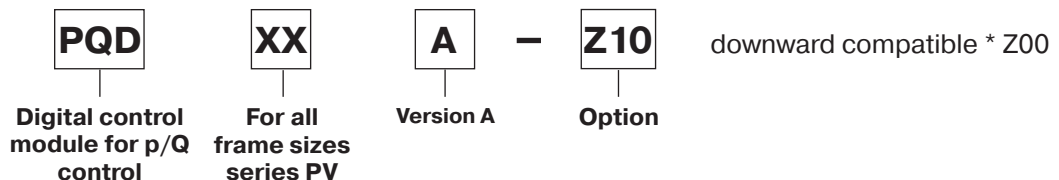


Technical data

| | | |
|--------------------------|--------------------|---|
| Mounting style | | Snap-on mounting for EN50022 rail |
| Body material | | Polycarbonate |
| Inflammation class | | V2...V0 acc. UL 94 |
| Mounting position | | any |
| Env. temperature range | [°C] | -20...+55 |
| Protection class | | IP 20 acc. DIN 40 050 |
| Weight | [g] | 260 |
| Duty ratio | [%] | 100 |
| Supply voltage | [V] | 18...30 VDC, ripple <5 % eff. |
| Rush in current | [A] | 22 for 0.2 ms |
| Current consumption | [A] | < 4 for p/Q control ; < 2 for Q-control |
| Resolution Input Command | [%] | 0.025 (power 0.1) |
| Interface | | USB-Typ B |
| EMC | | EN 50 081-2, EN 50 082-2 |
| Connctors | | Screw terminals 0.2...2.5 mm ² , plug in style |
| Cables | [mm ²] | Supply and solenoid cables; 1.5 mm ² (AWG16) overall braid shield. Sensor and command signals; 0.5 mm ² (AWG20) overall braid shield |
| Max. cable length | [m] | 50 |

For programming the module via PC an interface cable is needed, please order part number PQDXXA-ZXX-KABEL separately.

Ordering code



Programming software

The programming of the p/Q control module is done in an easy to learn mode. To select the pump model and size and to set the control parameters the program ProPVplus must be started. The program runs under common windows systems.

Latest software available at: www.parker.com/pmde

Features

- Display and documentation of parameter sets
- Save and reload of optimized parameter sets
- Offers oscilloscope function for easy performance evaluation and optimization
- Parameter sets for all PVplus pumps are pre-installed in the modules

Features

- Control, monitor and parameter setting via Profinet ® interface
- Covers all displacements and controls (pressure, displacement, power)
- Quick and easy integration with available GSDML and predefined and online available function blocks for I/Os as well as parametrization
- Full integration into overlaying machine control (PLC + HMI) Process parameter, Static Parameter, Conditions
- Predefined data sets for Plug&Play commissioning
- Quick and easy wiring with Push in contact blocks
- Switch function with two RJ45 ports
- Alternative Connection via USB cable (USB-A/USB-B)
- Compatible to the relevant european EMC specification
- Certified by Profibus User Organisation
- Easy error diagnosis

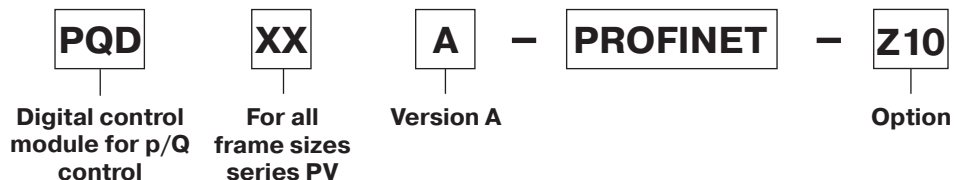


Technical data

| | | |
|--------------------------|--------------------|--|
| Mounting style | | Snap-on mounting for EN50022 |
| Body material | | Polyamide PA6.6 |
| Inflammation class | | V0 acc. UL 94 |
| Mounting position | | any |
| Env. temperature range | [°C] | -20...+55 |
| Protection class | | IP 20 acc. DIN 40 050 |
| Weight | [g] | 260 |
| Duty ratio | [%] | 100 |
| Supply voltage | [V] | 18...30 VDC, ripple <5 % eff. |
| Rush in current | [A] | 22 for 0.2 ms |
| Current consumption | [A] | < 4 for p/Q control ; < 2 for Q-control |
| Resolution Input Command | [%] | 0.025 (power 0.1) |
| Interface | | 2 x RJ45, USB-B |
| EMC | | EN61000-6-2: 2005 (Immunity), EN61000-6-3: 2007 +A1: 2010 (Emission) |
| Connectors | | Push in terminals 0.2...2.5 mm ² , plug in style |
| Cables | [mm ²] | Supply and solenoid cables; 1.5 mm ² (AWG16) overall braid shield. Sensor and command signals; 0.5 mm ² (AWG20) overall braid shield |
| Max. cable length | [m] | 50 |

Further information at bulletin MSG30-3256-INST/UK

Ordering code



Programming software

The programming of the p/Q control module is done in an easy to learn mode. To select the pump model and size and to set the control parameters the program ProPVplus must be started. The program runs under common windows systems.

Latest software available at: www.parker.com/pmde

Features

- Display and documentation of parameter sets
- Save and reload of optimized parameter sets
- Offers oscilloscope function for easy performance evaluation and optimization
- Parameter sets for all PVplus pumps are pre-installed in the modules

Mounting kits for multiple pumps, for second pump option

MK – PV BG [] [] [] []

Mounting kit Axial piston pump series PV Size Second pump Thread Seals

| Code | Pump size |
|------|----------------------------|
| 1 | Pump size 1: PV016 – PV028 |
| 2 | Pump size 2: PV032 – PV046 |
| 3 | Pump size 3: PV063 – PV092 |
| 4 | Pump size 4: PV140 – PV180 |
| 5 | Pump size 5: PV270 – PV360 |

| Code | Second pump, SAE |
|---------------------|---|
| T | Prepared for through drive option (plugged) |
| A | SAE A-2, diameter 82.55 mm |
| B | SAE B-2/4, diameter 101.6 mm |
| C | SAE C-2/4, diameter 127 mm |
| D | SAE D-4, diameter 152.4 mm |
| E | SAE E-4, diameter 165.1 mm |
| Second pump, metric | |
| J | Diameter 100 mm |
| K | Diameter 125 mm |
| L | Diameter 160 mm |
| M | Diameter 200 mm |

| Code | Seals |
|------|-------|
| N | NBR |
| V | FPM |

| Code | Thread |
|------|--------|
| M | Metric |
| S | SAE |

Kit contains positions 30, 69, 84, 85 and 87, see spare part list

Mounting kits for multiple pumps, couplings

MK – PV BG [] K []

Mounting kit Axial piston pump series PV Size Coupling

| Code | Pump size |
|------|----------------------------|
| 1 | Pump size 1: PV016 – PV028 |
| 2 | Pump size 2: PV032 – PV046 |
| 3 | Pump size 3: PV063 – PV092 |
| 4 | Pump size 4: PV140 – PV180 |
| 5 | Pump size 5: PV270 – PV360 |

| Code | Coupling for metric, splined shaft DIN 5480 |
|--|---|
| 01 | N25 x 1.5 x 15 |
| 02 | N32 x 1.5 x 20 |
| 03 | N40 x 1.5 x 25 |
| 04 | N50 x 2 x 24 |
| 05 | N60 x 2 x 28 |
| 06 | N70 x 3 x 22* |
| Coupling for SAE splined shaft flat root, side fit | |
| 11 | SAE A, 9T 16/32 |
| 12 | SAE, 11T 16/32 |
| 13 | SAE B, 13T 16/32 |
| 14 | SAE B-B, 15T 16/32 |
| 15 | SAE C, 14T 12/24 |
| 16 | SAE C-C, 17T 12/24 |
| 17 | SAE D+E, 13T 8/16 |
| 18 | SAE F, 15T 8/16 |
| Coupling + adaptor for keyed shaft | |
| 20 | Diameter 12 mm |
| 21 | Diameter 16 mm |
| 22 | Diameter 18 mm |

front pump ①

second pump

SAE, splined

keyed shaft (only up to Ø18, metric)

metric splined

Kit contains positions 1 (and 2 for keyed shaft).

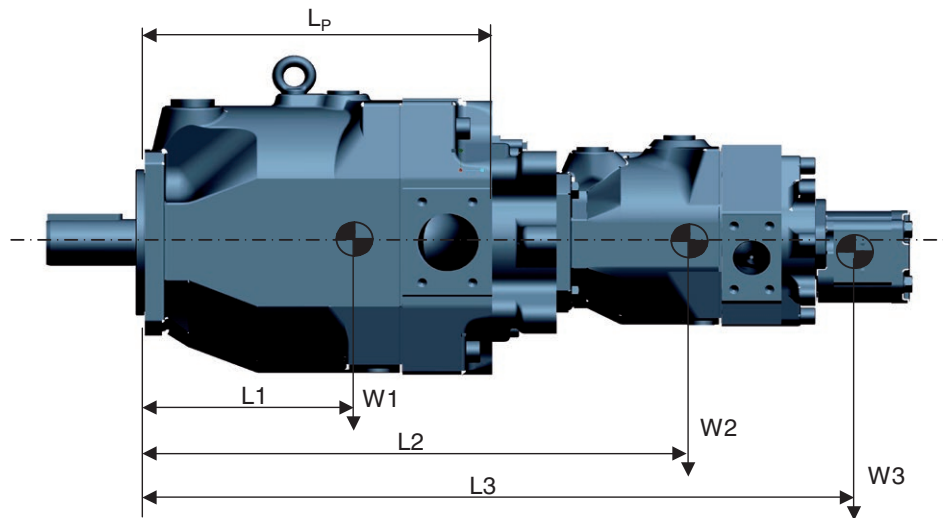
* For PV360 only

Availability of through drive flange and coupling please check with ordering code options per each pump size, starting at page 6

Multiple Pump Combinations – Maximum Moment

Combinations of multiple pumps might require additional pump support to avoid high stress on the front mounting flange. Combinations of two PVplus pumps in the same frame size generally do not need additional support in an industrial application. For combinations of more pumps support is required.

In case of combinations of a PVplus pump with another type of pump it is recommended to calculate the moment for the combination and compare with the maximum moment in table 1 below.



$$\text{Moment } M = (L1 \cdot W1 + L2 \cdot W2 + L3 \cdot W3 + \dots)$$

Note: If the calculated moment M exceed the maximum moment in table 1 below, additional pump support is needed

Table 1: Maximum Moment and Pump Dimensions

| | PV016-PV028 | PV032-PV046 | PV063-PV092 | PV140-PV180 | PV270 | PV360 |
|-----------------------------------|-------------|-------------|-------------|-------------|-------|-------|
| Maximum moment ¹⁾ [Nm] | 81 | 151 | 401 | 591 | 1686 | 1686 |
| Weight W [N] | 186 | 294 | 589 | 883 | 1687 | 1766 |
| Distance L1 [mm to C/G] | 106 | 119 | 178 | 184 | 234 | 238 |
| Distance Lp [mm] | 197.5 | 227 | 287 | 350 | 472.5 | 477 |

¹⁾ at dynamic weight acceleration 10g = 98.1 m/sec²

Table 2 Through Drive Adapter Plate Thickness [mm]

| Adapter option ²⁾ | PV016-PV028 | PV032-PV046 | PV063-PV092 | PV140-PV180 | PV270 | PV360 |
|------------------------------|-------------|-------------|-------------|-------------|-------|-------|
| A | 27 | 34 | 39 | 65 | 59 | 59 |
| B | 27 | 34 | 39 | 65 | 59 | 59 |
| C | - | 49 | 39 | 65 | 59 | 59 |
| D | - | - | 64 | 65 | 59 | 59 |
| E | - | - | - | - | 59 | 59 |
| G | 27 | 34 | 39 | - | - | - |
| J | 27 | 34 | 39 | 65 | 59 | 59 |
| K | - | 34 | 39 | 65 | 59 | 59 |
| L | - | - | 39 | 65 | 59 | 59 |
| M | - | - | - | - | 59 | 59 |

²⁾ See page 6 to 17 for reference per each frame size.

| Maximum allowed transferable torque FRONT | | | | | | | |
|---|-----------------|--|-----------|-----------|-----------|-------|-------|
| Shaft code | Shaft type | Transferable torque at FRONT shaft end. [Nm] | | | | | |
| | | PV016-028 | PV032-046 | PV063-092 | PV140-180 | PV270 | PV360 |
| D | SAE - Key | 300 | 650 | 1850 | 2150 | 2150 | 4750 |
| E | SAE - Spline | 320 | 630 | 1700 | 2750 | 2800 | 8100* |
| F | SAE - Key | | | | 1200 | | |
| G | SAE - Spline | | | | 1700 | | |
| R | Metric - Key | | | | | | 3750 |
| T | Metric - Spline | | | | | | 8100 |
| K | Metric - Key | 280 | 640 | 1200 | 1550 | 3300 | 3750 |
| L | Metric - Spline | 320 | 720 | 1500 | 3050 | 5750 | 8100 |
| Maximum allowed transferable torque REAR | | | | | | | |
| Max. torque transmission cap. for rear mounted pump | | 350 | 520 | 1100 | 1550 | 3150 | 3250 |

* DIN5480 splined

Important notice:

The max. allowable torque of the individual shaft must not be exceeded. For 2-pump combinations there is no problem because PV series offers 100 % through torque. For 3-pump combinations (and more) the limit torque could be reached or exceeded.

Therefore it is necessary to calculate the resulting input as well as through drive torque.

Change History 2022:

- New proportional pressure relief valve with OBE PVACRE*T added (page 44-45)
- ordering codes updated with proportional pressure relief valve with OBE PVACRE*T options



WARNING – USER RESPONSIBILITY

FAILURE OR IMPROPER SELECTION OR IMPROPER USE OF THE PRODUCTS DESCRIBED HEREIN OR RELATED ITEMS CAN CAUSE DEATH, PERSONAL INJURY AND PROPERTY DAMAGE.

This document and other information from Parker-Hannifin Corporation, its subsidiaries and authorized distributors provide product or system options for further investigation by users having technical expertise.

The user, through its own analysis and testing, is solely responsible for making the final selection of the system and components and assuring that all performance, endurance, maintenance, safety and warning requirements of the application are met. The user must analyze all aspects of the application, follow applicable industry standards, and follow the information concerning the product in the current product catalog and in any other materials provided from Parker or its subsidiaries or authorized distributors.

To the extent that Parker or its subsidiaries or authorized distributors provide component or system options based upon data or specifications provided by the user, the user is responsible for determining that such data and specifications are suitable and sufficient for all applications and reasonably foreseeable uses of the components or systems.

Offer of Sale

Please contact your Parker representation for a detailed "Offer of Sale".

www.parker.com



Parker Hannifin Manufacturing Germany GmbH & Co. KG

Pump & Motor Division Europe

Neefestrasse 96

09116 Chemnitz, Germany

Tel.: +49 (0)3 71 393 70

Email: pmde-pqd-support@parker.com

Your authorized Distributor